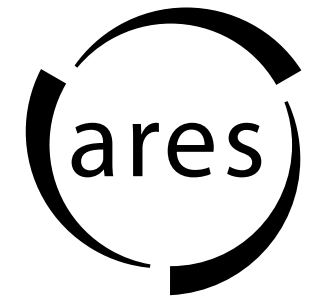


mobiMASTER **450 I**
mobiFITT **300 / 200 / 125 I**



technology that leads.



FENDT 722 *vario*

TRELLEBORG

1100/60 R 50

UN 1203

mobiMASTER **450 I**

mobiFITT **300 / 200 / 125 I**

Item number	Description	12 Volt 35 l	12 Volt 60 l	24 Volt 35 l	24 Volt 60 l	Automatic nozzle valve + swivel joint	Automatic nozzle valve + German design approval + swivel	In-line meter digital	Page
26 400	mobiMASTER- 450 I -ZVAD-12 V-35 l/min	x				x			4
26 410	mobiMASTER- 450 I -ZVAD-12 V-35 l/min-EBZD	x				x		x	6
26 420	mobiMASTER- 450 I -ZVABD-12 V-35 l/min	x					x		8
26 401	mobiMASTER- 450 I -ZVAD-24 V-35 l/min			x		x			10
26 411	mobiMASTER- 450 I -ZVAD-24 V-35 l/min-EBZD			x		x		x	12
26 402	mobiMASTER- 450 I -ZVAD-12 V-60 l/min		x			x			14
26 412	mobiMASTER- 450 I -ZVAD-12 V-60 l/min-EBZD		x			x		x	16
26 403	mobiMASTER- 450 I -ZVAD-24 V-60 l/min				x	x			18
mobiMASTER accessories									20
26 480	mobiFITT- 300 I -ZVAD-12 V-35 l/min	x				x			22
26 481	mobiFITT- 300 I -ZVAD-24 V-35 l/min			x		x			24
26 485	mobiFITT- 300 I -ZVAD-12 V-35 l/min-EBZD	x				x		x	26
26 486	mobiFITT- 300 I -ZVAD-24 V-35 l/min-EBZD			x		x		x	28
26 460	mobiFITT- 200 I -ZVAD-12 V-35 l/min	x				x			30
26 461	mobiFITT- 200 I -ZVAD-24 V-35 l/min			x		x			32
26 465	mobiFITT- 200 I -ZVAD-12 V-35 l/min-EBZD	x				x		x	34
26 466	mobiFITT- 200 I -ZVAD-24 V-35 l/min-EBZD			x		x		x	36
26 440	mobiFITT- 125 I -ZVAD-12 V-35 l/min	x				x			38
26 441	mobiFITT- 125 I -ZVAD-24 V-35 l/min			x		x			40
26 445	mobiFITT- 125 I -ZVAD-12 V-35 l/min-EBZD	x				x		x	42
26 446	mobiFITT- 125 I -ZVAD-24 V-35 l/min-EBZD			x		x		x	44
mobiMASTER accessories									46

mobiMASTER



450 I

26 400	mobiMASTER-450 I-ZVAD-12 V-35 l/min	4
26 410	mobiMASTER-450 I-ZVAD-12 V-35 l/min-EBZD	6
26 420	mobiMASTER-450 I-ZVABD-12 V-35 l/min	8
26 401	mobiMASTER-450 I-ZVAD-24 V-35 l/min	10
26 411	mobiMASTER-450 I-ZVAD-24 V-35 l/min-EBZD	12
26 402	mobiMASTER-450 I-ZVAD-12 V-60 l/min	14
26 412	mobiMASTER-450 I-ZVAD-12 V-60 l/min-EBZD	16
26 403	mobiMASTER-450 I-ZVAD-24 V-60 l/min	18

mobiFITT



300 / 200 / 125 I

26 480	mobiFITT-300 I-ZVAD-12 V-35 l/min	22
26 481	mobiFITT-300 I-ZVAD-24 V-35 l/min	24
26 485	mobiFITT-300 I-ZVAD-12 V-35 l/min-EBZD	26
26 486	mobiFITT-300 I-ZVAD-24 V-35 l/min-EBZD	28
26 460	mobiFITT-200 I-ZVAD-12 V-35 l/min	30
26 461	mobiFITT-200 I-ZVAD-24 V-35 l/min	32
26 465	mobiFITT-200 I-ZVAD-12 V-35 l/min-EBZD	34
26 466	mobiFITT-200 I-ZVAD-24 V-35 l/min-EBZD	36
26 440	mobiFITT-125 I-ZVAD-12 V-35 l/min	38
26 441	mobiFITT-125 I-ZVAD-24 V-35 l/min	40
26 445	mobiFITT-125 I-ZVAD-12 V-35 l/min-EBZD	42
26 446	mobiFITT-125 I-ZVAD-24 V-35 l/min-EBZD	44



FENDT 722

TRELLEBORG

UN 1202

technology that leads.

mobiMASTER **450 I**

mobiFITT **300 / 200 / 125 I**

Special notes

- + Manufacturer's warranty on the tank, valid for 5 years from the date of delivery, and 2 years warranty on built-in and attachment parts
- + Storage of petrol in the tank is strictly forbidden.
- + A leakage test is recommended to be effected every 2 1/2 years, a general test every 5 years
- + UN/ADR approval for ares® mobiMASTER tanks and FMT® diesel pump systems
- + UN-approval
- + Production under permanent control of the German TÜV

26 400

mobiMASTER-450 I-ZVAD
12 V-35 l/min

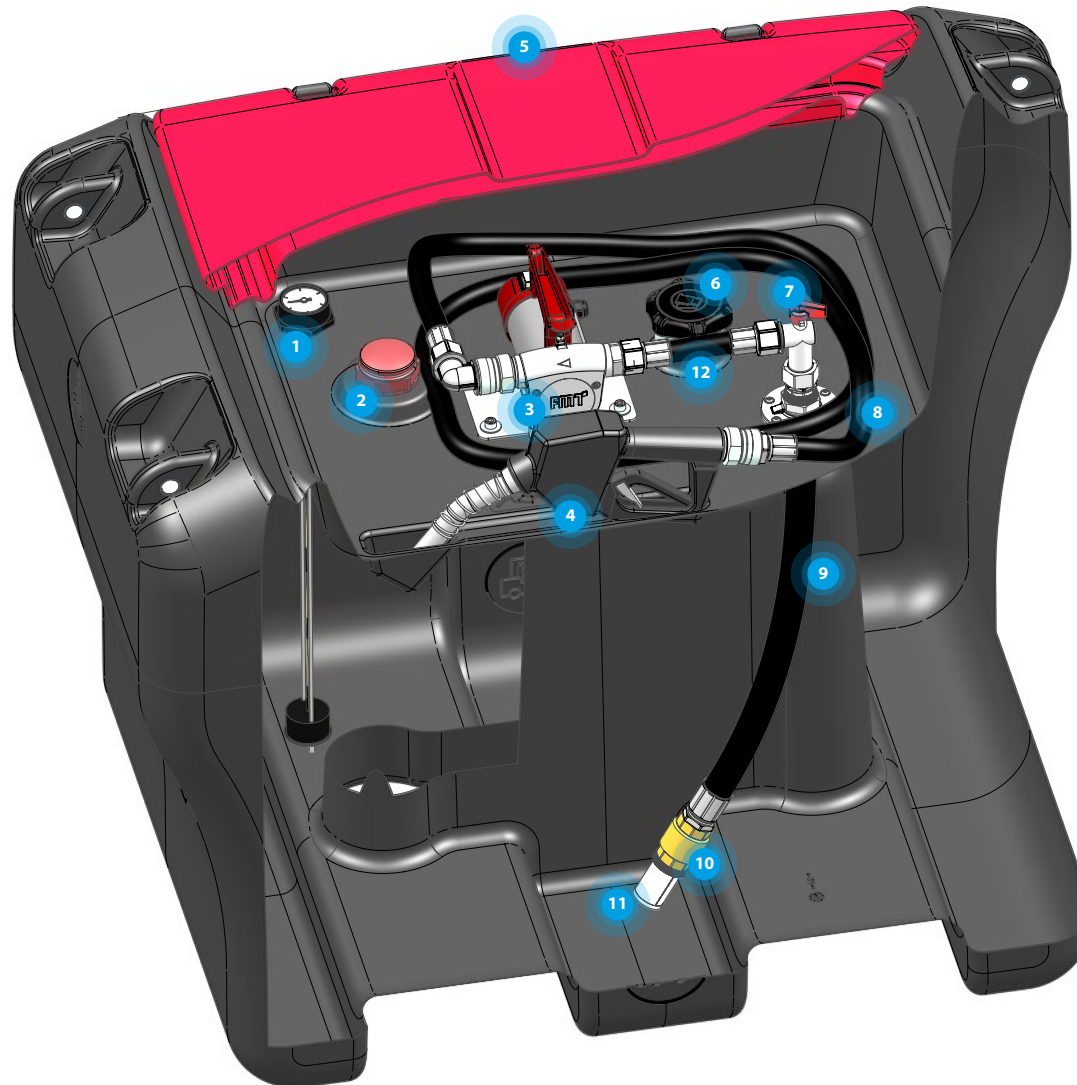


Technical data

Tank volume (l)	450
Material tank	LLDPE (linear low density polyethylene)
UN approval	un 31H2/Z/.../CZ/IMET 1427/0/
Pump	
Brand	FMT Swiss AG
Connecting cable with battery terminal clips, length (m)	3
Hydraulic data	
Pump design	vane pump, selfpriming
Delivery rate under free discharge (l/min)	35
Discharge pressure up to (bar)	1,6
Pumping media	fuel oil and diesel
Motor data	
Voltage (V)	12 V DC
Power consumption (A)	18
Fuse (A)	25 A plug-in fuse
Duty cycle (min) under free discharge max.	60
Safety class	IP54
Dimensions LxWxH (mm)	1200 x 800 x 912

Specification

- ▶ Single-walled tank (45 314)
- ▶ Movable under load
- ▶ Universal fixation loops for integral shackles
- ▶ Diffusion resistant
- ▶ UV-resistant
- ▶ Lockable protection cap
- ▶ Ventilation valve (45 140)
- ▶ Level indicator (04 402)
- ▶ Safety valve between tank and pump (19 779)
- ▶ Foot valve with filter (19 890)
- ▶ Vane pump, with integral bypass (23 012 966)
- ▶ On/Off switch
- ▶ Discharge hose, 4 m, DN 19, G 1" male, G 1" female (23 155 957)
- ▶ Automatic nozzle valve with swivel joint, ZVAD (23 176)



- 1 04 402**
Spiral-level indicator
mechanical-595 mm
- 2 45 140**
Airing and venting valve
G 2" male-PA 6
- 3 23 012 966**
MOBIFlxx 35 l/min
12 V-DC-ABK
- 4 23 176**
ZVAD-G 3/4" female-60 l/min
Alu-DG-G 1" female-G 3/4" male
- 5 84 343**
Cap for mobiMASTER 450 I
LLDEP-8 kg-920 x 800 x 100
- 6 89 822**
Tank protecting cap size 60
- 7 19 779**
Angled tap 90°
G 1" fem-G 1" male
- 8 23 155 957**
Hose for diesel
L = 4000 mm-G 1" a-G 1" i-DN 19
- 9 89 127**
Hose for diesel
L = 540 mm-G 1" a-G 1" a-DN 25
- 10 19 892**
Non-return valve
G 1" fem-G 1" fem
- 11 23 180**
Suction strainer G 1" male
Ø43 x 69,5
- 12 89 126**
Hose for diesel
L = 140 mm-G 1" f-G 1" f-DN 19

26 410

mobiMASTER-450 I-ZVAD
12 V-35 l/min-EBZD

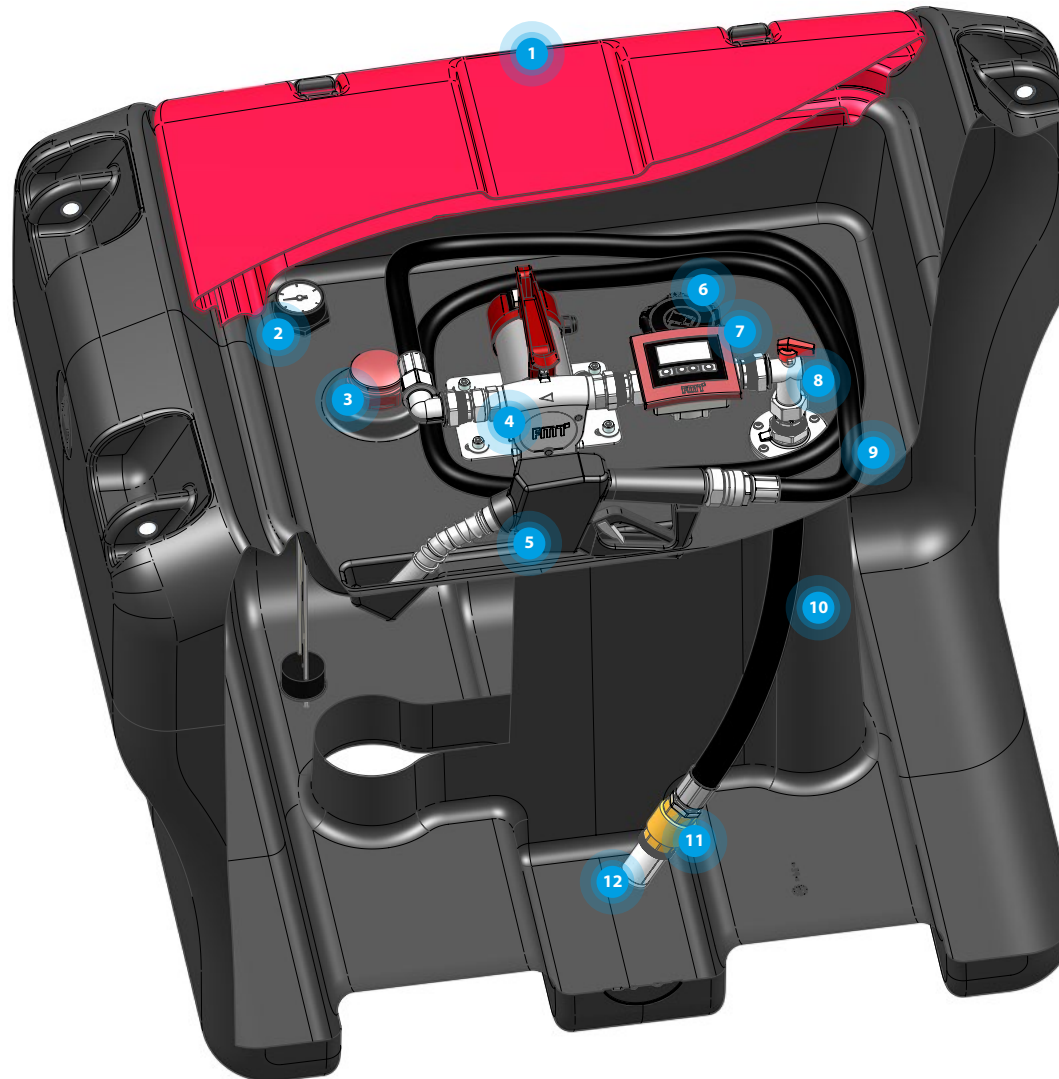


Technical data

Tank volume (l)	450
Material tank	LLDPE (linear low density polyethylene)
UN approval	un 31H2/Z/.../CZ/IMET 1427/0/
Pump	
Brand	FMT Swiss AG
Connecting cable with battery terminal clips, length (m)	3
Hydraulic data	
Pump design	vane pump, selfpriming
Delivery rate under free discharge (l/min)	35
Discharge pressure up to (bar)	1,6
Pumping media	fuel oil and diesel
Motor data	
Voltage (V)	12 V DC
Power consumption (A)	18
Fuse (A)	25 A plug-in fuse
Duty cycle (min) under free discharge max.	60
Safety class	IP54
Digital in-line meter	
Temperature range (°C)	-10 / +60
Display	4-digits, with 2 decimal digits
Dimensions LxWxH (mm)	1200 x 800 x 912

Specification

- ▶ Single-walled tank (45 314)
- ▶ Movable under load
- ▶ Universal fixation loops for integral shackles
- ▶ Diffusion resistant
- ▶ UV-resistant
- ▶ Lockable protection cap
- ▶ Ventilation valve (45 140)
- ▶ Level indicator (04 402)
- ▶ Safety valve between tank and pump (19 779)
- ▶ Foot valve with filter (19 890)
- ▶ Vane pump, with integral bypass (23 012 966)
- ▶ On/Off switch
- ▶ Discharge hose, 4 m, DN 19, G 1" male, G 1" female (23 155 957)
- ▶ Automatic nozzle valve with swivel joint, ZVAD (23 176)
- ▶ In-line meter, digital (23 287)



- 1 84 343**
Cap for mobiMASTER 450 I
LLDEP-8 kg-920 x 800 x 100
- 2 04 402**
Spiral-level indicator
mechanical-595 mm
- 3 45 140**
Airing and venting valve
G 2" male-PA 6
- 4 23 012 966**
MOBIFxx 35 l/min
12 V-DC-ABK
- 5 23 176**
ZVAD-G 3/4" female-60 l/min
Alu-DG-G 1" female-G 3/4" male
- 6 89 822**
Tank protecting cap size 60
- 7 23 287**
In-line meter-digital
vane-G 1" fem-G 1" male
- 8 19 779**
Angled tap 90°
G 1" fem-G 1" male
- 9 23 155 957**
Hose for diesel
L = 4000 mm-G 1" a-G 1" i-DN 19
- 10 89 127**
Hose for diesel
L = 540 mm-G 1" a-G 1" a-DN 25
- 11 19 892**
Non-return valve
G 1" fem-G 1" fem
- 12 23 180**
Suction strainer G 1" male
Ø43 x 69,5

26 420

mobiMASTER-450 I-ZVABD
12 V-35 l/min

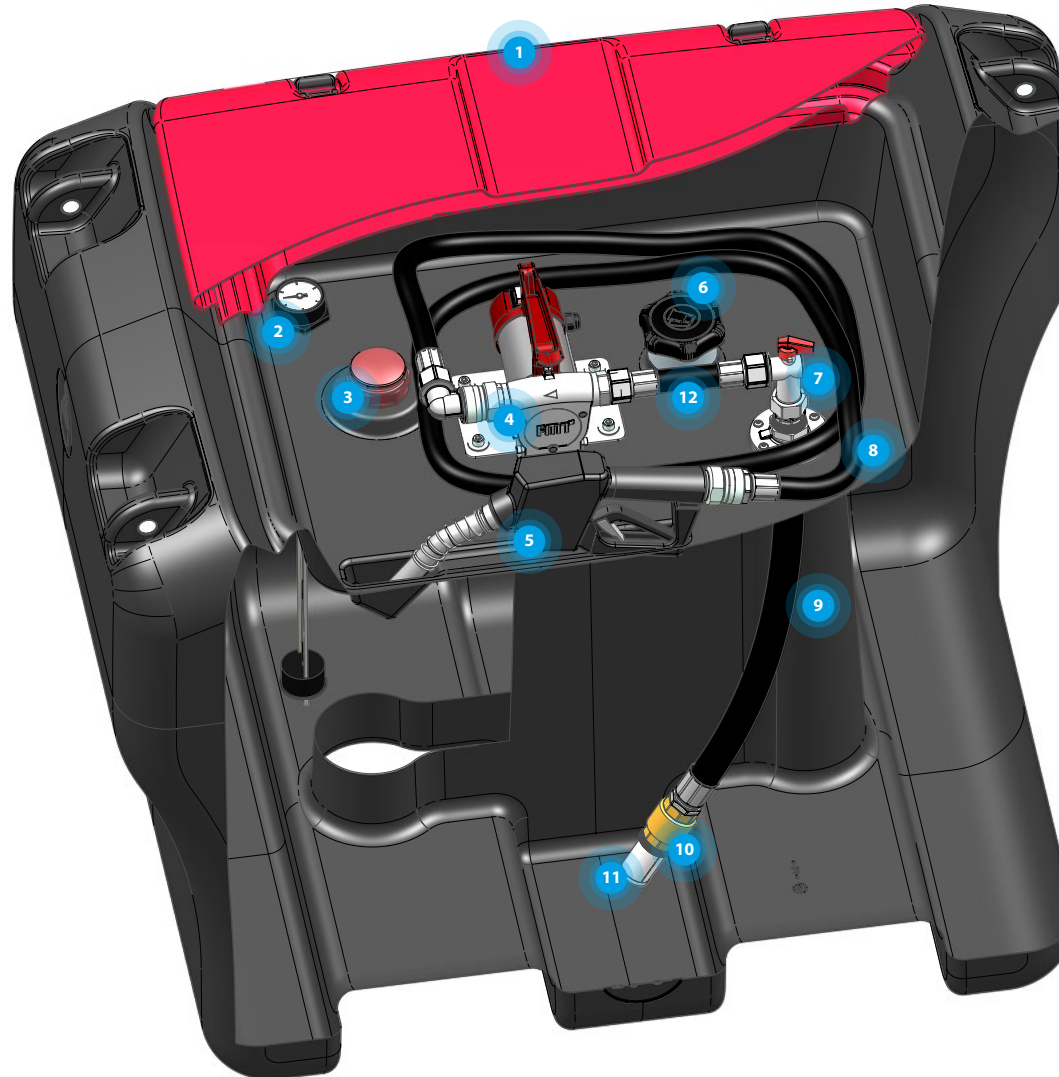


Technical data

Tank volume (l)	450
Material tank	LLDPE (linear low density polyethylene)
UN approval	un 31H2/Z/.../CZ/IMET 1427/0/
Pump	
Brand	FMT Swiss AG
Connecting cable with battery terminal clips, length (m)	3
Hydraulic data	
Pump design	vane pump, selfpriming
Delivery rate under free discharge (l/min)	35
Discharge pressure up to (bar)	1,6
Pumping media	fuel oil and diesel
Motor data	
Voltage (V)	12 V DC
Power consumption (A)	18
Fuse (A)	25 A plug-in fuse
Duty cycle (min) under free discharge max.	60
Safety class	IP54
Dimensions LxWxH (mm)	1200 x 800 x 912

Specification

- ▶ Single-walled tank (45 314)
- ▶ Movable under load
- ▶ Universal fixation loops for integral shackles
- ▶ Diffusion resistant
- ▶ UV-resistant
- ▶ Lockable protection cap
- ▶ Ventilation valve (45 140)
- ▶ Level indicator (04 402)
- ▶ Safety valve between tank and pump (19 779)
- ▶ Foot valve with filter (19 890)
- ▶ Vane pump, with integral bypass (23 012 966)
- ▶ On/Off switch
- ▶ Discharge hose, 4 m, DN 19, G 1" male, G 1" female (23 155 957)
- ▶ Automatic nozzle valve with German design approval and swivel, ZVABD (23 168)



- 1 84 343**
Cap for mobiMASTER 450 I
LLDEP-8 kg-920 x 800 x 100
- 2 04 402**
Spiral-level indicator
mechanical-595 mm
- 3 45 140**
Airing and venting valve
G 2" male-PA 6
- 4 23 012 966**
MOBIFlxx 35 l/min
12 V-DC-ABK
- 5 23 168**
ZVABD-G 1" f-60 l/min
Alu-type approval
- 6 89 822**
Tank protecting cap size 60
- 7 19 779**
Angled tap 90°
G 1" fem-G 1" male
- 8 23 155 957**
Hose for diesel
L = 4000 mm-G 1" a-G 1" i-DN 19
- 9 89 127**
Hose for diesel
L = 540 mm-G 1" a-G 1" a-DN 25
- 10 19 892**
Non-return valve
G 1" fem-G 1" fem
- 11 23 180**
Suction strainer G 1" male
Ø43 x 69,5
- 12 89 126**
Hose for diesel
L = 140 mm-G 1" f-G 1" f-DN 19

26 401

mobiMASTER-450 I-ZVAD
24 V-35 l/min

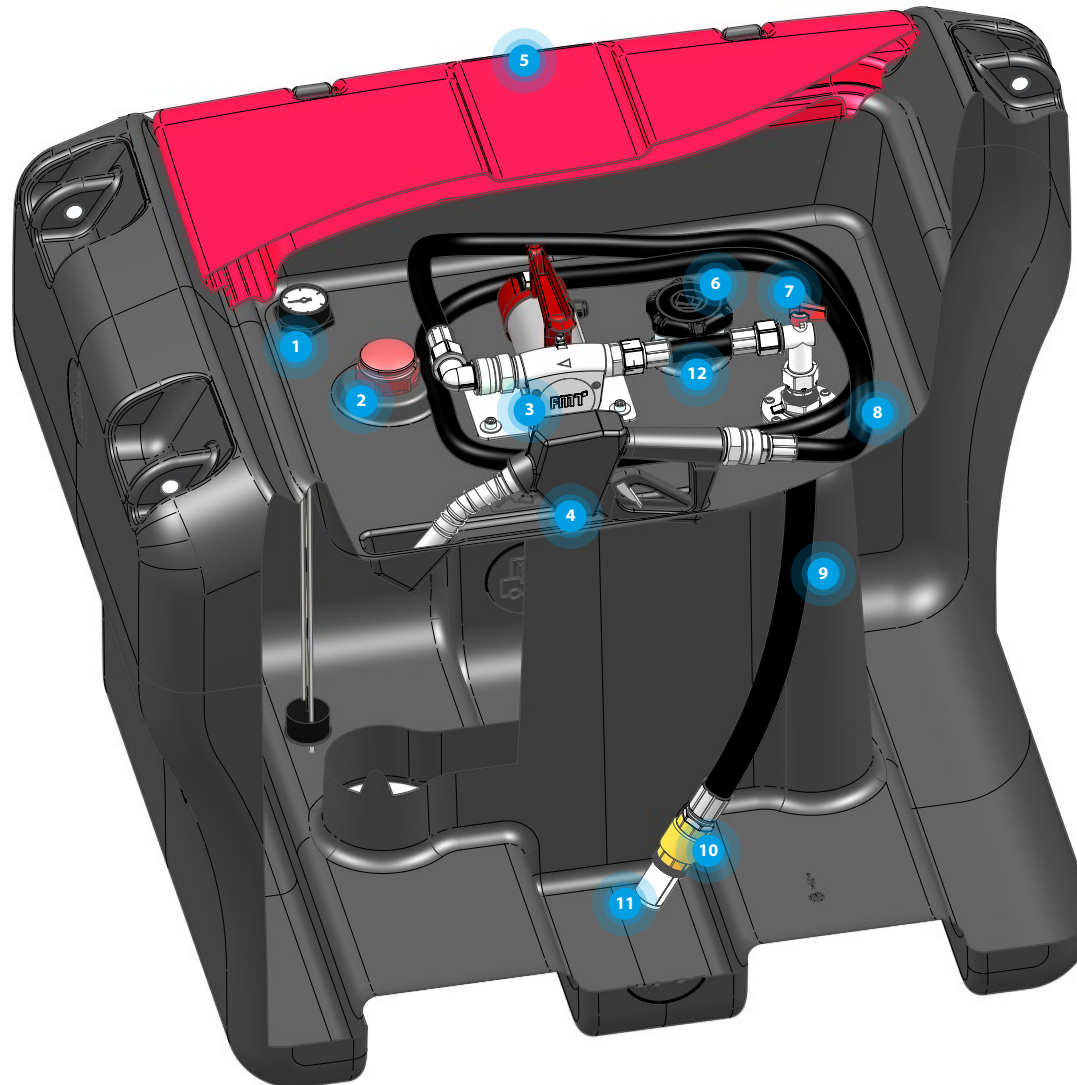


Technical data

Tank volume (l)	450
Material tank	LLDPE (linear low density polyethylene)
UN approval	un 31H2/Z/.../CZ/IMET 1427/0/
Pump	
Brand	FMT Swiss AG
Connecting cable with battery terminal clips, length (m)	3
Hydraulic data	
Pump design	vane pump, selfpriming
Delivery rate under free discharge (l/min)	35
Discharge pressure up to (bar)	1,6
Pumping media	fuel oil and diesel
Motor data	
Voltage (V)	24 V DC
Power consumption (A)	13
Fuse (A)	25 A plug-in fuse
Duty cycle (min) under free discharge max.	60
Safety class	IP54
Dimensions LxWxH (mm)	1200 x 800 x 912

Specification

- ▶ Single-walled tank (45 314)
- ▶ Movable under load
- ▶ Universal fixation loops for integral shackles
- ▶ Diffusion resistant
- ▶ UV-resistant
- ▶ Lockable protection cap
- ▶ Ventilation valve (45 140)
- ▶ Level indicator (04 402)
- ▶ Safety valve between tank and pump (19 779)
- ▶ Foot valve with filter (19 890)
- ▶ Vane pump, with integral bypass (23 012 968)
- ▶ On/Off switch
- ▶ Discharge hose, 4 m, DN 19, G 1" male, G 1" female (23 155 957)
- ▶ Automatic nozzle valve with swivel joint, ZVAD (23 176)



- 1 04 402**
Spiral-level indicator
mechanical-595 mm
- 2 45 140**
Airing and venting valve
G 2" male-PA 6
- 3 23 012 968**
MOBIFlxx 35 l/min
24 V-DC-ABK
- 4 23 176**
ZVAD-G 3/4" female-60 l/min
Alu-DG-G 1" female-G 3/4" male
- 5 84 343**
Cap for mobiMASTER 450 I
LLDEP-8 kg-920 x 800 x 100
- 6 89 822**
Tank protecting cap size 60
- 7 19 779**
Angled tap 90°
G 1" fem-G 1" male
- 8 23 155 957**
Hose for diesel
L = 4000 mm-G 1" a-G 1" i-DN 19
- 9 89 127**
Hose for diesel
L = 540 mm-G 1" a-G 1" a-DN 25
- 10 19 892**
Non-return valve
G 1" fem-G 1" fem
- 11 23 180**
Suction strainer G 1" male
Ø43 x 69,5
- 12 89 126**
Hose for diesel
L = 140 mm-G 1" f-G 1" f-DN 19

26 411

mobiMASTER-450 I-ZVAD
24 V-35 l/min-EBZD

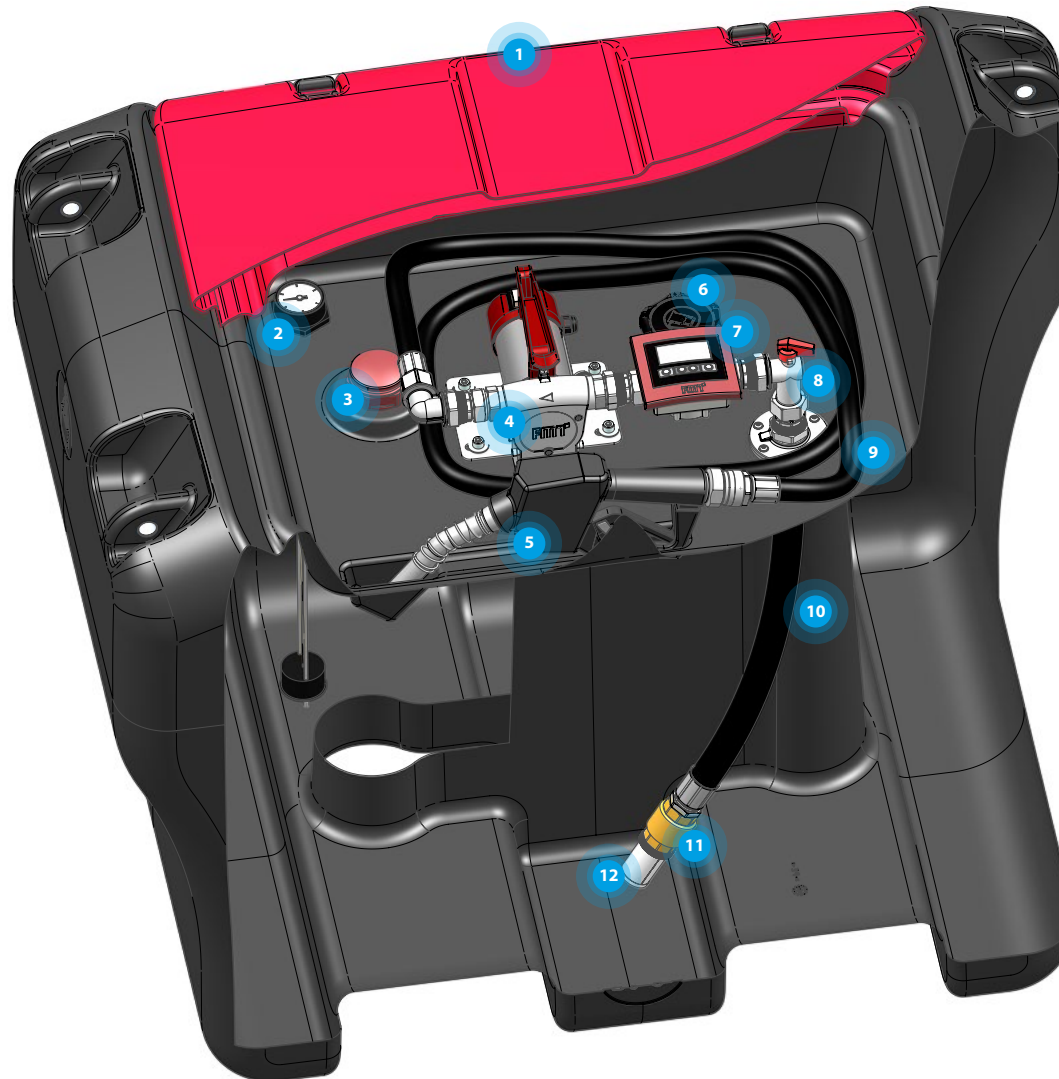


Technical data

Tank volume (l)	450
Material tank	LLDPE (linear low density polyethylene)
UN approval	un 31H2/Z/.../CZ/IMET 1427/0/
Pump	
Brand	FMT Swiss AG
Connecting cable with battery terminal clips, length (m)	3
Hydraulic data	
Pump design	vane pump, selfpriming
Delivery rate under free discharge (l/min)	35
Discharge pressure up to (bar)	1,6
Pumping media	fuel oil and diesel
Motor data	
Voltage (V)	24 V DC
Power consumption (A)	13
Fuse (A)	25 A plug-in fuse
Duty cycle (min) under free discharge max.	60
Safety class	IP54
Digital in-line meter	
Temperature range (°C)	-10 / +60
Display	4-digits, with 2 decimal digits
Dimensions LxWxH (mm)	1200 x 800 x 912

Specification

- ▶ Single-walled tank (45 314)
- ▶ Movable under load
- ▶ Universal fixation loops for integral shackles
- ▶ Diffusion resistant
- ▶ UV-resistant
- ▶ Lockable protection cap
- ▶ Ventilation valve (45 140)
- ▶ Level indicator (04 402)
- ▶ Safety valve between tank and pump (19 779)
- ▶ Foot valve with filter (19 890)
- ▶ Vane pump, with integral bypass (23 012 968)
- ▶ On/Off switch
- ▶ Discharge hose, 4 m, DN 19, G 1" male, G 1" female (23 155 957)
- ▶ Automatic nozzle valve with swivel joint, ZVAD (23 176)
- ▶ In-line meter, digital (23 287)



- 1 84 343**
Cap for mobiMASTER 450 I
LLDEP-8 kg-920 x 800 x 100
- 2 04 402**
Spiral-level indicator
mechanical-595 mm
- 3 45 140**
Airing and venting valve
G 2" male-PA 6
- 4 23 012 968**
MOBIFlx 35 l/min
24 V-DC-ABK
- 5 23 176**
ZVAD-G 3/4" female-60 l/min
Alu-DG-G 1" female-G 3/4" male
- 6 89 822**
Tank protecting cap size 60
- 7 23 287**
In-line meter-digital
vane-G 1" fem-G 1" male
- 8 19 779**
Angled tap 90°
G 1" fem-G 1" male
- 9 23 155 957**
Hose for diesel
L = 4000 mm-G 1" a-G 1" i-DN 19
- 10 89 127**
Hose for diesel
L = 540 mm-G 1" a-G 1" a-DN 25
- 11 19 892**
Non-return valve
G 1" fem-G 1" fem
- 12 23 180**
Suction strainer G 1" male
Ø43 x 69,5

26 402

mobiMASTER-450 I-ZVAD
12 V-60 l/min

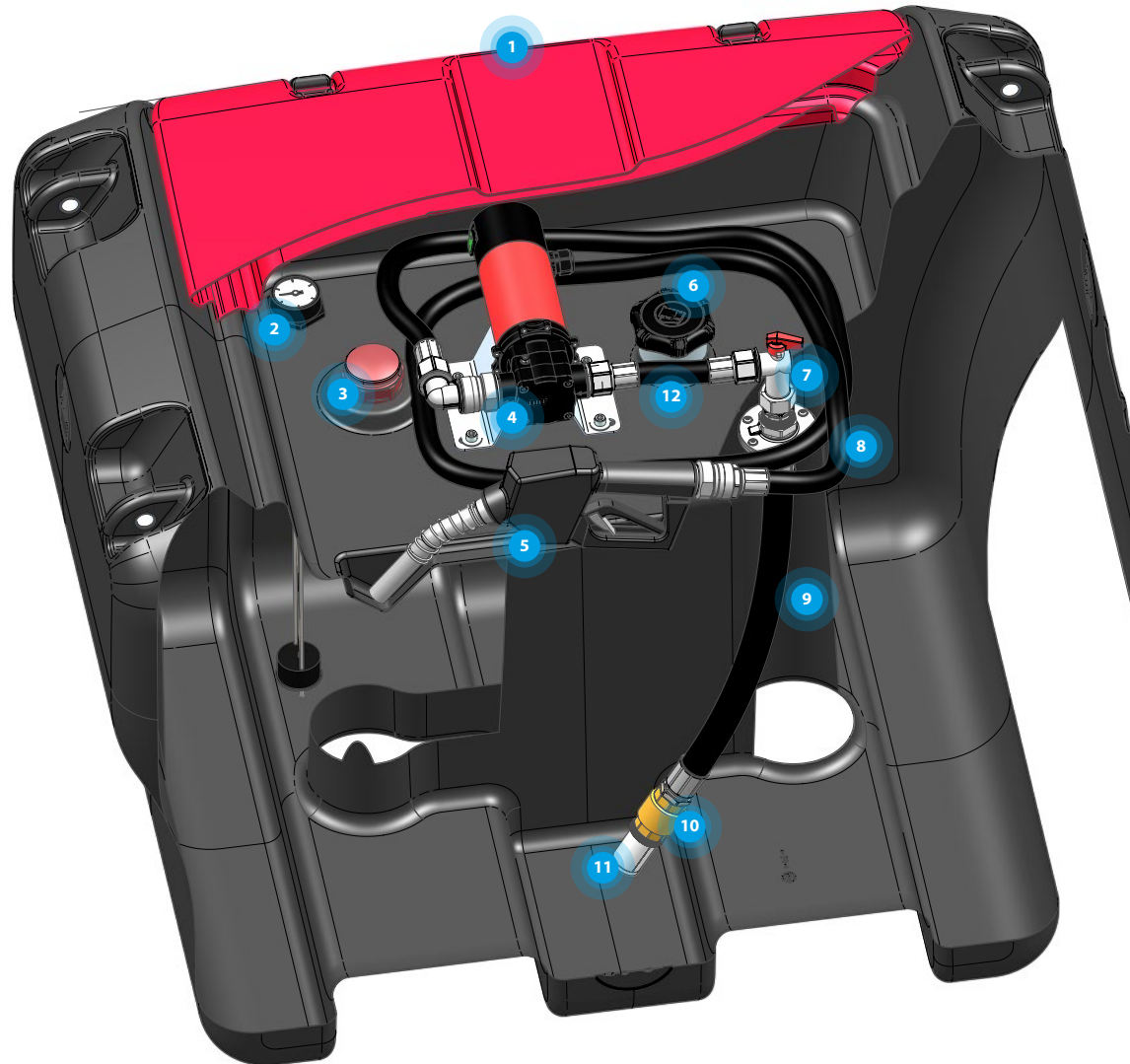


Technical data

Tank volume (l)	450
Material tank	LLDPE (linear low density polyethylene)
UN approval	un 31H2/Z/.../CZ/IMET 1427/0/
Pump	
Brand	FMT Swiss AG
Connecting cable with battery terminal clips, length (m)	3
Hydraulic data	
Pump design	vane pump, selfpriming
Delivery rate under free discharge (l/min)	54
Discharge pressure up to (bar)	1,8
Pumping media	fuel oil and diesel
Motor data	
Voltage (V)	12 V DC
Power consumption (A)	30
Fuse (A)	40 A plug-in fuse
Duty cycle (min) under free discharge max.	180
Safety class	IP66
Dimensions LxWxH (mm)	1200 x 800 x 912

Specification

- ▶ Single-walled tank (45 314)
- ▶ Movable under load
- ▶ Universal fixation loops for integral shackles
- ▶ Diffusion resistant
- ▶ UV-resistant
- ▶ Lockable protection cap
- ▶ Ventilation valve (45 140)
- ▶ Level indicator (04 402)
- ▶ Safety valve between tank and pump (19 779)
- ▶ Foot valve with filter (19 890)
- ▶ Vane pump, with integral bypass (23 406 966)
- ▶ On/Off switch
- ▶ Discharge hose, 4 m, DN 19, G 1" male, G 1" female (23 155 957)
- ▶ Automatic nozzle valve with swivel joint, ZVAD (23 176)



- 1 84 343**
Cap for mobiMASTER 450 l
LLDEP-8 kg-920 x 800 x 100
- 2 04 402**
Spiral-level indicator
mechanical-595 mm
- 3 45 140**
Airing and venting valve
G 2" male-PA 6
- 4 23 406 966**
MOBIMAx 54 l/min
12 V-DC-ABK
- 5 23 176**
ZVAD-G 3/4" female-60 l/min
Alu-DG-G 1" female-G 3/4" male
- 6 89 822**
Tank protecting cap size 60
- 7 19 779**
Angled tap 90°
G 1" fem-G 1" male
- 8 23 155 957**
Hose for diesel
L = 4000 mm-G 1" a-G 1" i-DN 19
- 9 89 127**
Hose for diesel
L = 540 mm-G 1" a-G 1" a-DN 25
- 10 19 892**
Non-return valve
G 1" fem-G 1" fem
- 11 23 180**
Suction strainer G 1" male
Ø43 x 69,5
- 12 89 126**
Hose for diesel
L = 140 mm-G 1" f-G 1" f-DN 19

26 412

mobiMASTER-450 I-ZVAD
12 V-60 l/min-EBZD

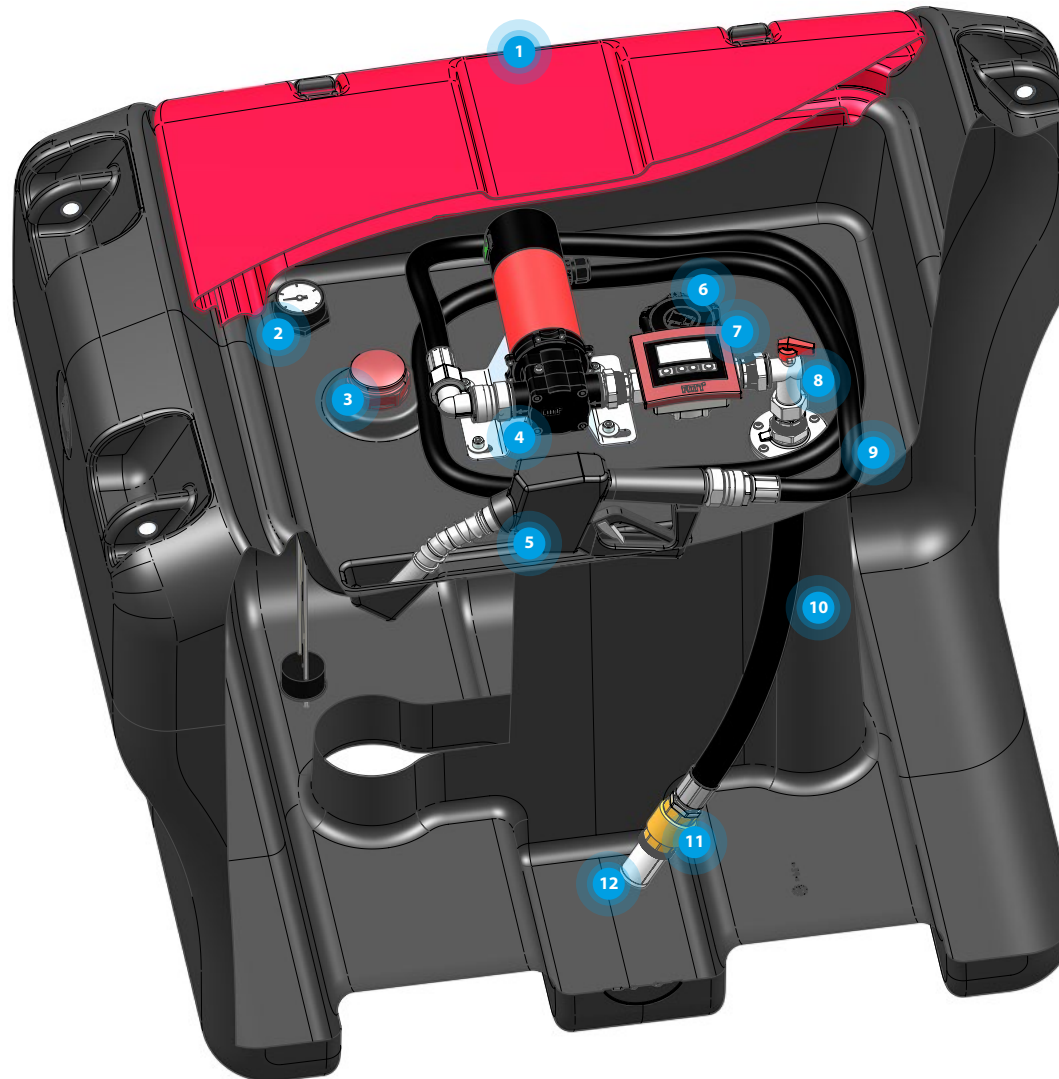


Technical data

Tank volume (l)	450
Material tank	LLDPE (linear low density polyethylene)
UN approval	un 31H2/Z/.../CZ/IMET 1427/0/
Pump	
Brand	FMT Swiss AG
Connecting cable with battery terminal clips, length (m)	3
Hydraulic data	
Pump design	vane pump, selfpriming
Delivery rate under free discharge (l/min)	54
Discharge pressure up to (bar)	1,8
Pumping media	fuel oil and diesel
Motor data	
Voltage (V)	12 V DC
Power consumption (A)	30
Fuse (A)	40 A plug-in fuse
Duty cycle (min) under free discharge max.	180
Safety class	IP66
Digital in-line meter	
Temperature range (°C)	-10 / +60
Display	4-digits, with 2 decimal digits
Dimensions LxWxH (mm)	1200 x 800 x 912

Specification

- ▶ Single-walled tank (45 314)
- ▶ Movable under load
- ▶ Universal fixation loops for integral shackles
- ▶ Diffusion resistant
- ▶ UV-resistant
- ▶ Lockable protection cap
- ▶ Ventilation valve (45 140)
- ▶ Level indicator (04 402)
- ▶ Safety valve between tank and pump (19 779)
- ▶ Foot valve with filter (19 890)
- ▶ Vane pump, with integral bypass (23 406 966)
- ▶ On/Off switch
- ▶ Discharge hose, 4 m, DN 19, G 1" male, G 1" female (23 155 957)
- ▶ Automatic nozzle valve with swivel joint, ZVAD (23 176)
- ▶ In-line meter, digital (23 287)



- 1 84 343**
Cap for mobiMASTER 450 l
LLDEP-8 kg-920 x 800 x 100
- 2 04 402**
Spiral-level indicator
mechanical-595 mm
- 3 45 140**
Airing and venting valve
G 2" male-PA 6
- 4 23 406 966**
MOBIMAXx 54 l/min
12 V-DC-ABK
- 5 23 176**
ZVAD-G 3/4" female-60 l/min
Alu-DG-G 1" female-G 3/4" male
- 6 89 822**
Tank protecting cap size 60
- 7 23 287**
In-line meter-digital
vane-G 1" fem-G 1" male
- 8 19 779**
Angled tap 90°
G 1" fem-G 1" male
- 9 23 155 957**
Hose for diesel
L = 4000 mm-G 1" a-G 1" i-DN 19
- 10 89 127**
Hose for diesel
L = 540 mm-G 1" a-G 1" a-DN 25
- 11 19 892**
Non-return valve
G 1" fem-G 1" fem
- 12 23 180**
Suction strainer G 1" male
Ø43 x 69,5

26 403

mobiMASTER-450 I-ZVAD
24 V-60 l/min

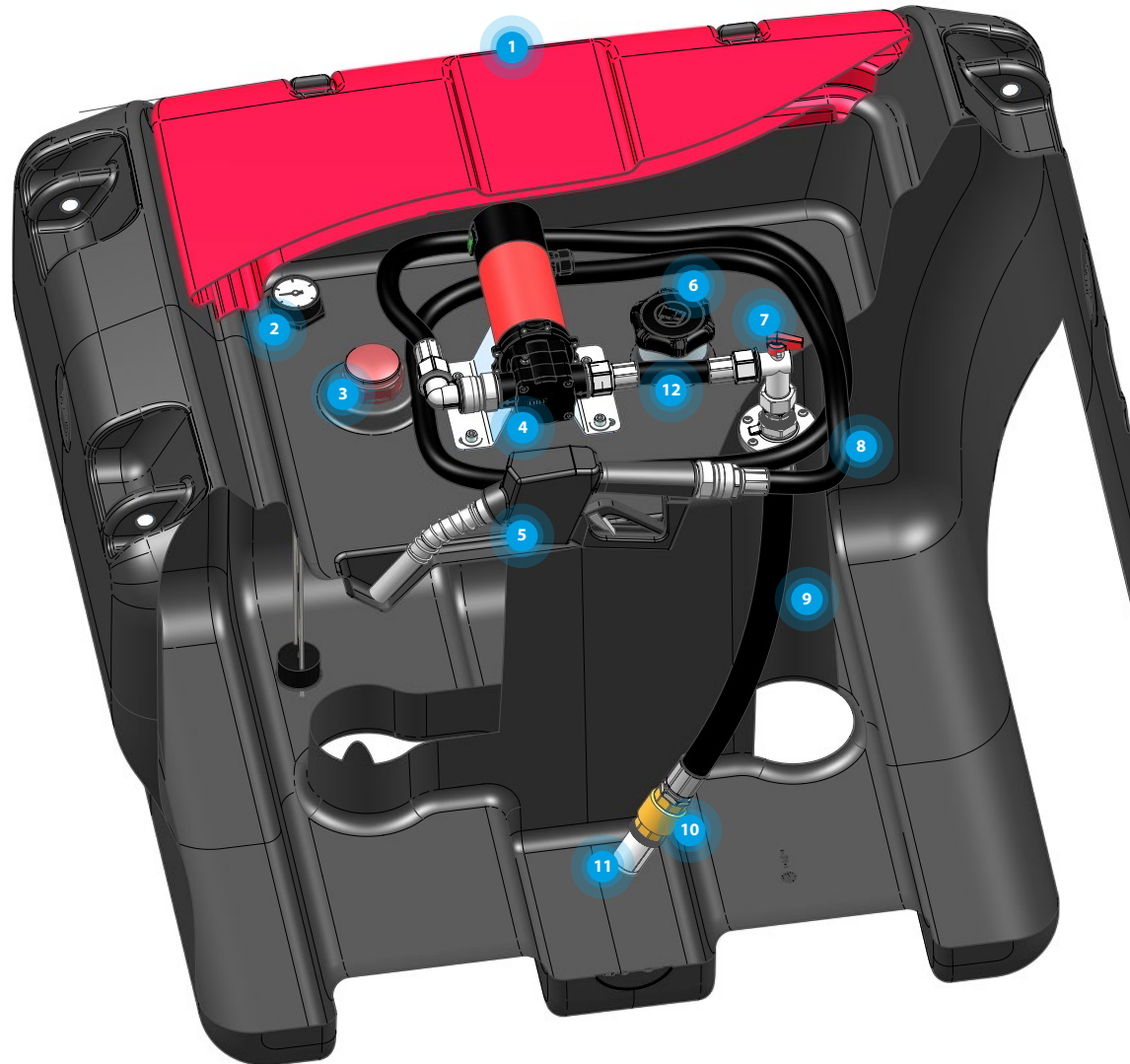


Technical data

Tank volume (l)	450
Material tank	LLDPE (linear low density polyethylene)
UN approval	un 31H2/Z/.../CZ/IMET 1427/0/
Pump	
Brand	FMT Swiss AG
Connecting cable, length (m)	3
Hydraulic data	
Pump design	vane pump, selfpriming
Delivery rate under free discharge (l/min)	54
Discharge pressure up to (bar)	1,8
Pumping media	fuel oil and diesel
Motor data	
Voltage (V)	24 V DC
Power consumption (A)	21
Fuse (A)	40 A plug-in fuse
Duty cycle (min) under free discharge max.	180
Safety class	IP66
Dimensions LxWxH (mm)	1200 x 800 x 912

Specification

- ▶ Single-walled tank (45 314)
- ▶ Movable under load
- ▶ Universal fixation loops for integral shackles
- ▶ Diffusion resistant
- ▶ UV-resistant
- ▶ Lockable protection cap
- ▶ Ventilation valve (45 140)
- ▶ Level indicator (04 402)
- ▶ Safety valve between tank and pump (19 779)
- ▶ Foot valve with filter (19 890)
- ▶ Vane pump, with integral bypass (23 407 966)
- ▶ On/Off switch
- ▶ Discharge hose, 4 m, DN 19, G 1" male, G 1" female (23 155 957)
- ▶ Automatic nozzle valve with swivel joint, ZVAD (23 176)



- 1 84 343**
Cap for mobiMASTER 450 l
LLDEP-8 kg-920 x 800 x 100
- 2 04 402**
Spiral-level indicator
mechanical-595 mm
- 3 45 140**
Airing and venting valve
G 2" male-PA 6
- 4 23 407 966**
MOBIMAx 54 l/min
24 V-DC-ABK
- 5 23 176**
ZVAD-G 3/4" female-60 l/min
Alu-DG-G 1" female-G 3/4" male
- 6 89 822**
Tank protecting cap size 60
- 7 19 779**
Angled tap 90°
G 1" fem-G 1" male
- 8 23 155 957**
Hose for diesel
L = 4000 mm-G 1" a-G 1" i-DN 19
- 9 89 127**
Hose for diesel
L = 540 mm-G 1" a-G 1" a-DN 25
- 10 19 892**
Non-return valve
G 1" fem-G 1" fem
- 11 23 180**
Suction strainer G 1" male
Ø43 x 69,5
- 12 89 126**
Hose for diesel
L = 140 mm-G 1" f-G 1" f-DN 19

1 84 343



3 45 140



6 23 406 966



9 23 168



4 23 012 966



7 23 407 966



10 89 822



2 04 402



5 23 012 968



8 23 176



11 23 190



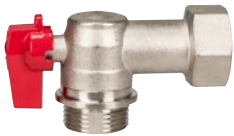
12 23 287



15 89 127



13 19 779



16 89 126



14 23 155 957



17 19 892



18 23 180



1 84 343

Cap for mobiMASTER 450 I
LLDEP-8 kg-920 x 800 x 100

2 04 402

Spiral-level indicator
mechanical-595 mm

3 45 140

Airing and venting valve
G 2" male-PA 6

4 23 012 966

MOBIFxx 35 l/min
12 V-DC-ABK

5 23 012 968

MOBIFxx 35 l/min
24 V-DC-ABK

6 23 406 966

MOBIMAx 54 l/min
12 V-DC-ABK

7 23 407 966

MOBIMAx 54 l/min
24 V-DC-ABK

8 23 176

ZVAD-G 3/4" female-60 l/min
Alu-DG-G 1" female-G 3/4" male

9 23 168

ZVABD-G 1" f-60 l/min
Alu-type approval

10 89 822

Tank protecting cap size 60

11 23 190

NUMERixx³-G 1" fem-G 1" fem
oval gear meter-digital

12 23 287

In-line meter-digital
vane-G 1" fem-G 1" male

13 19 779

Angled tap 90°
G 1" fem-G 1" male

14 23 155 957

Hose for diesel
L = 4000 mm-G 1" a-G 1" i-DN 19

15 89 127

Hose for diesel
L = 540 mm-G 1" a-G 1" a-DN 25

16 89 126

Hose for diesel
L = 140 mm-G 1" f-G 1" f-DN 19

17 19 892

Non-return valve
G 1" fem-G 1" fem

18 23 180

Suction strainer G 1" male
Ø 43 x 69,5

26 480

mobiFITT-300 I
ZVAD-12 V-35 l/min

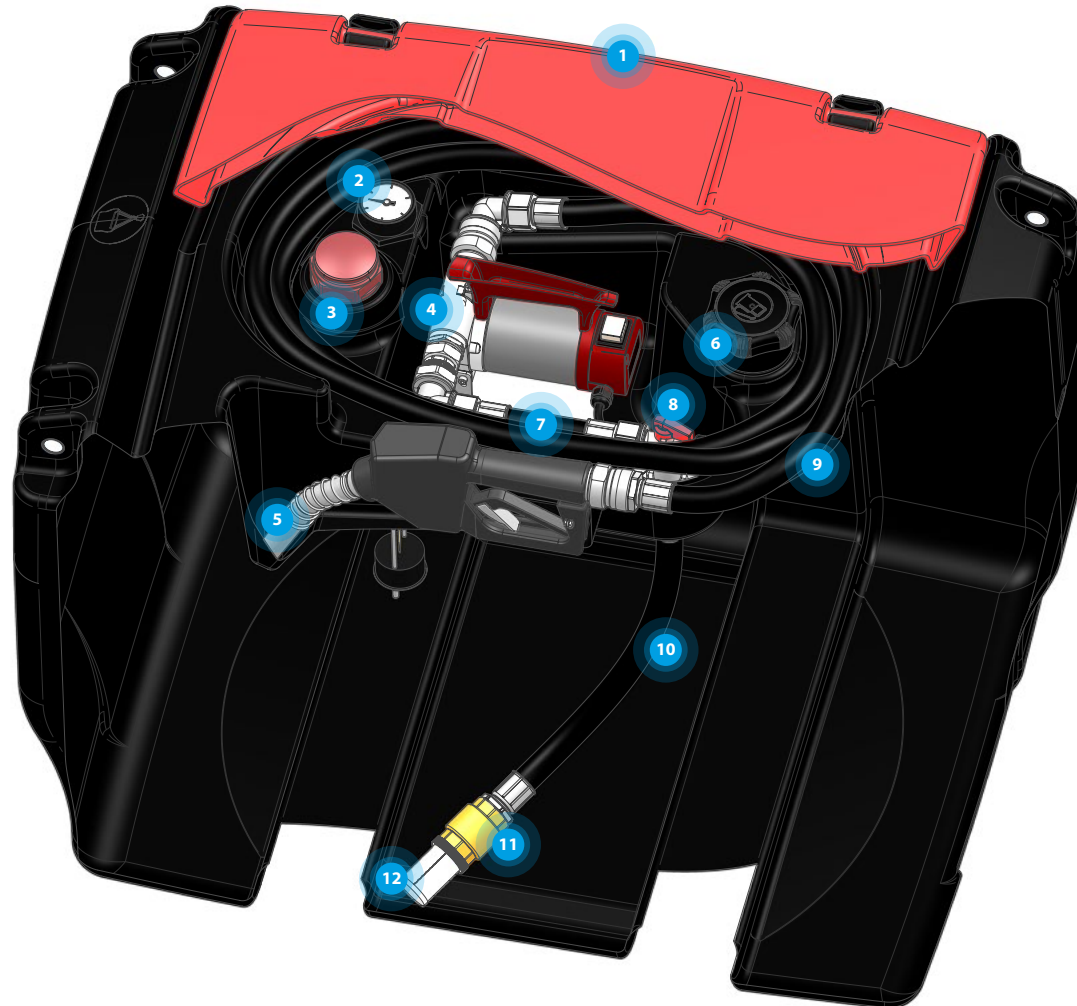


Technical data

Tank volume (l)	300
Material tank	LLDPE (linear low density polyethylene)
UN approval	un 31H2/Z/..../CZ/IMET 1359-ARES/0/
Pump	
Brand	FMT Swiss AG
Connecting cable with battery terminal clips, length (m)	3
Hydraulic data	
Pump design	vane pump, selfpriming
Delivery rate under free discharge (l/min)	35
Discharge pressure up to (bar)	1,6
Pumping media	fuel oil and diesel
Motor data	
Voltage (V)	12 V DC
Power consumption (A)	18
Fuse (A)	25 A plug-in fuse
Duty cycle (min) under free discharge max.	60
Safety class	IP54
Dimensions LxWxH (mm)	1000 x 654 x 727

Specification

- ▶ Single-walled tank (45 482)
- ▶ Movable under load
- ▶ Universal fixation loops for integral shackles
- ▶ Diffusion resistant
- ▶ UV-resistant
- ▶ Lockable protection cap
- ▶ Ventilation valve (45 140)
- ▶ Level indicator (82 602)
- ▶ Safety valve between tank and pump (19 779)
- ▶ Foot valve with filter (19 890)
- ▶ Vane pump, with integral bypass (23 012 964)
- ▶ On/Off switch
- ▶ Discharge hose, 3,8 m, DN 19, G 1" male, G 1" female (23 155 967)
- ▶ Automatic nozzle valve with swivel joint, ZVAD (23 176)



- 1 45 489**
Cap for mobiFITT 125 I-200 I-300 I LLDPE-4,5kg
- 2 82 602**
Spiral-level indicator mechanical-560 mm
- 3 45 140**
Airing and venting valve G 2" male-PA 6
- 4 23 012 964**
MOBIFxx 35 l/min 12 V-DC-ABK
- 5 23 176**
ZVAD-G 3/4" female-60 l/min Alu-DG-G 1" female-G 3/4" male
- 6 89 822**
Tank protecting cap size 60
- 7 89 126**
Hose for diesel L = 140 mm-G 1" f-G 1" f-DN 19
- 8 19 779**
Angled tap 90° G 1" fem-G 1" male
- 9 23 155 967**
Hose for diesel L = 3800 mm-G 1" a-G 1" i-DN 19
- 10 82 605**
Hose for diesel L = 470 mm-G 1" m-G 1" m-DN 19
- 11 19 892**
Non-return valve G 1" fem-G 1" fem
- 12 23 180**
Suction strainer G 1" male Ø43 x 69,5

26 481

mobiFITT-300 I
ZVAD-24 V-35 l/min

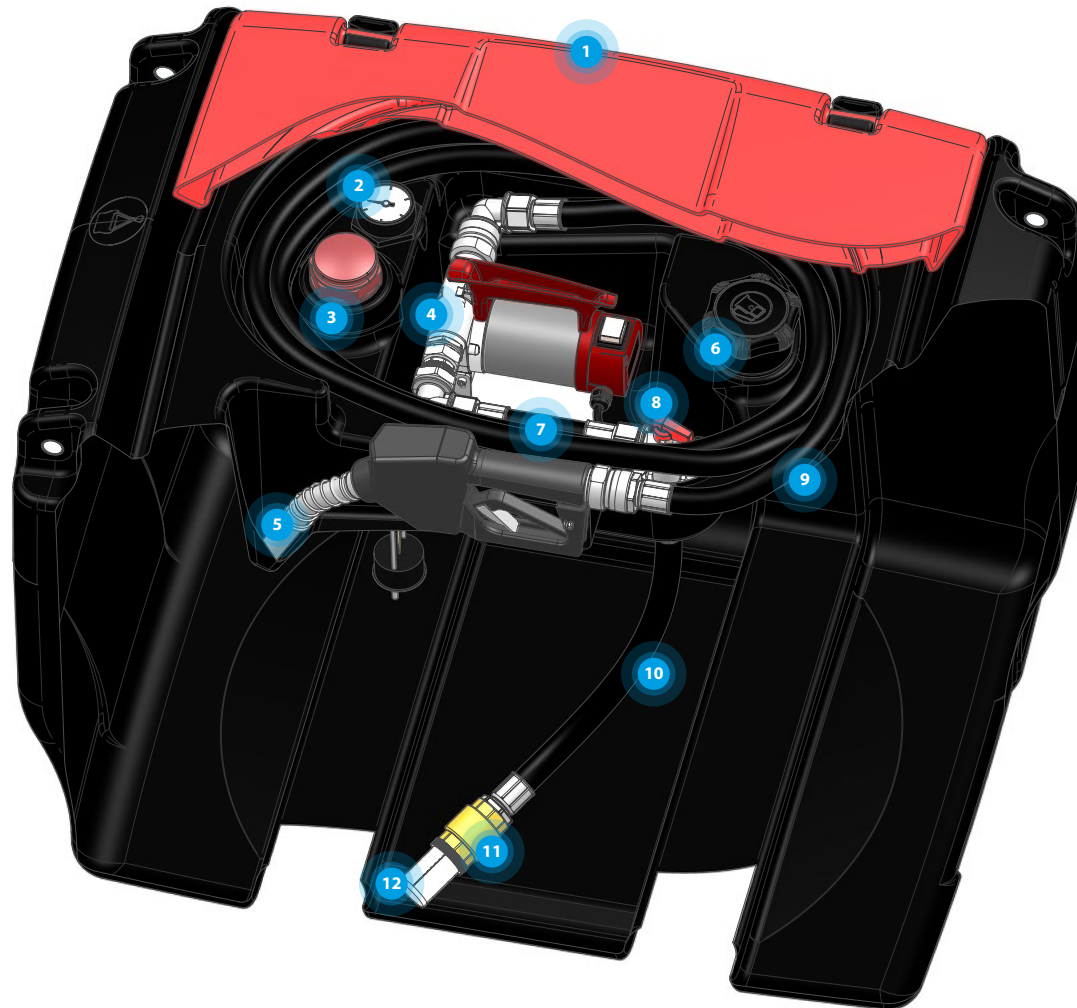


Technical data

Tank volume (l)	300
Material tank	LLDPE (linear low density polyethylene)
UN approval	un 31H2/Z/..../CZ/IMET 1359-ARES/0/
Pump	
Brand	FMT Swiss AG
Connecting cable with battery terminal clips, length (m)	3
Hydraulic data	
Pump design	vane pump, selfpriming
Delivery rate under free discharge (l/min)	35
Discharge pressure up to (bar)	1,6
Pumping media	fuel oil and diesel
Motor data	
Voltage (V)	24 V DC
Power consumption (A)	13
Fuse (A)	25 A plug-in fuse
Duty cycle (min) under free discharge max.	60
Safety class	IP54
Dimensions LxWxH (mm)	1000 x 654 x 727

Specification

- ▶ Single-walled tank (45 482)
- ▶ Movable under load
- ▶ Universal fixation loops for integral shackles
- ▶ Diffusion resistant
- ▶ UV-resistant
- ▶ Lockable protection cap
- ▶ Ventilation valve (45 140)
- ▶ Level indicator (82 602)
- ▶ Safety valve between tank and pump (19 779)
- ▶ Foot valve with filter (19 890)
- ▶ On/Off switch
- ▶ Discharge hose, 3,8 m, DN 19, G 1" male, G 1" female (23 155 967)
- ▶ Automatic nozzle valve with swivel joint, ZVAD (23 176)
- ▶ Vane pump, with integral bypass (23 012 965)



- 1 45 489**
Cap for mobiFITT 125 I-200 I-300 I LLDPE-4,5kg
- 2 82 602**
Spiral-level indicator mechanical-560 mm
- 3 45 140**
Airing and venting valve G 2" male-PA 6
- 4 23 012 965**
MOBIFxx 35 l/min 24 V-DC-ABK
- 5 23 176**
ZVAD-G 3/4" female-60 l/min Alu-DG-G 1" female-G 3/4" male
- 6 89 822**
Tank protecting cap size 60
- 7 89 126**
Hose for diesel L = 140 mm-G 1" f-G 1" f-DN 19
- 8 19 779**
Angled tap 90° G 1" fem-G 1" male
- 9 23 155 967**
Hose for diesel L = 3800 mm-G 1" a-G 1" i-DN 19
- 10 82 605**
Hose for diesel L = 470 mm-G 1" m-G 1" m-DN 19
- 11 19 892**
Non-return valve G 1" fem-G 1" fem
- 12 23 180**
Suction strainer G 1" male Ø43 x 69,5

26 485

mobiFITT-300 I
ZVAD-12 V-35 l/min-EBZD

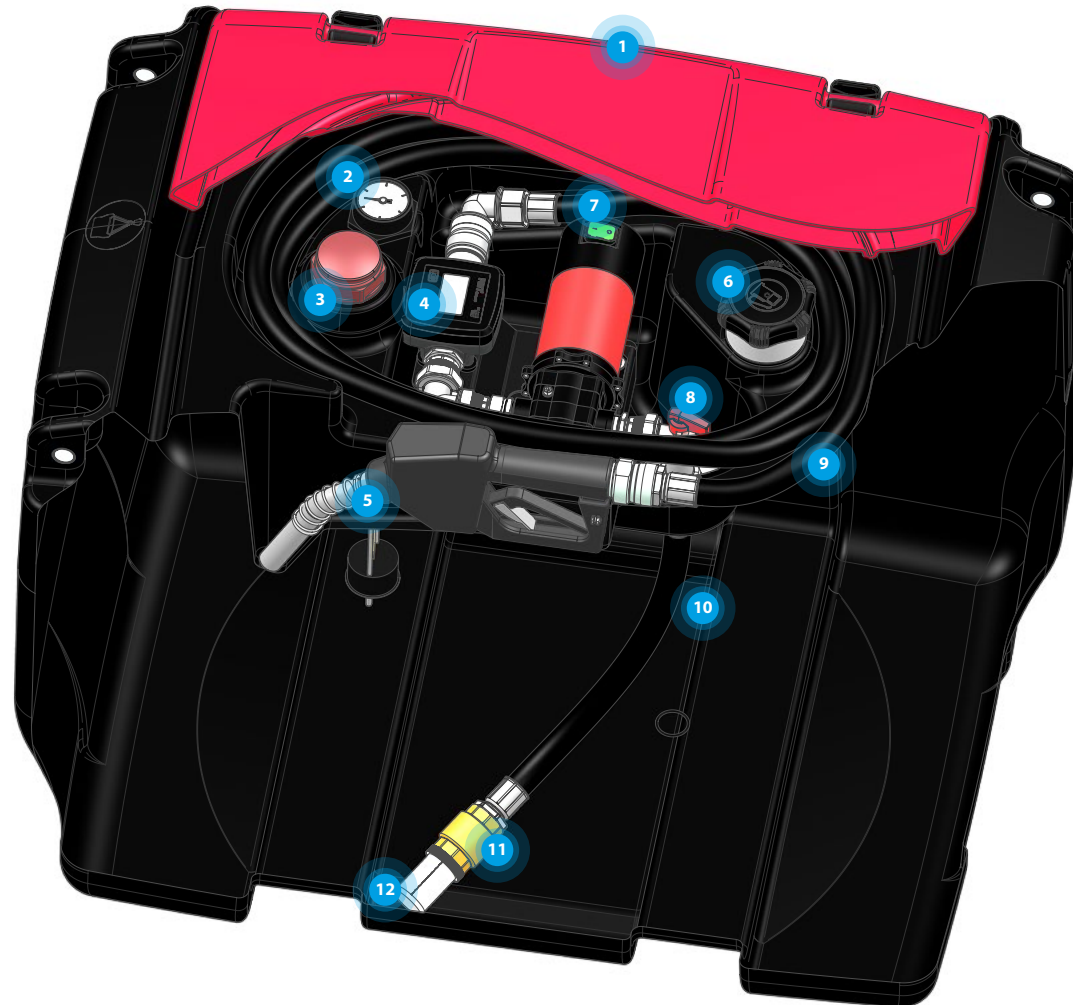


Technical data

Tank volume (l)	300
Material tank	LLDPE (linear low density polyethylene)
UN approval	un 31H2/Z/.../CZ/IMET 1359-ARES/0/
Pump	
Brand	FMT Swiss AG
Connecting cable with battery terminal clips, length (m)	3
Hydraulic data	
Pump design	vane pump, selfpriming
Delivery rate under free discharge (l/min)	35
Discharge pressure up to (bar)	1,6
Pumping media	fuel oil and diesel
Motor data	
Voltage (V)	12 V DC
Power consumption (A)	18
Fuse (A)	25 A plug-in fuse
Duty cycle (min) under free discharge max.	60
Safety class	IP54
Digital in-line meter	
Temperature range (°C)	-10 / +60
Display	4-digits, with 2 decimal digits
Dimensions LxWxH (mm)	1000 x 654 x 727

Specification

- ▶ Single-walled tank (45 482)
- ▶ Movable under load
- ▶ Universal fixation loops for integral shackles
- ▶ Diffusion resistant
- ▶ UV-resistant
- ▶ Lockable protection cap
- ▶ Ventilation valve (45 140)
- ▶ Level indicator (82 602)
- ▶ Safety valve between tank and pump (19 779)
- ▶ Foot valve with filter (19 890)
- ▶ On/Off switch
- ▶ Discharge hose, 3,8 m, DN 19, G 1" male, G 1" female (23 155 967)
- ▶ In-line meter NUMERlxx³, digital (23 190)
- ▶ Automatic nozzle valve with swivel joint, ZVAD (23 176)
- ▶ Vane pump, with integral bypass (23 407 966)



- 1 45 489**
Cap for mobiFITT 125 I-200 I-300 I LLDPE-4,5kg
- 2 82 602**
Spiral-level indicator mechanical-560 mm
- 3 45 140**
Airing and venting valve G 2" male-PA 6
- 4 23 190**
NUMERlxx³-G 1" fem-G 1" fem oval gear meter-digital
- 5 23 176**
ZVAD-G 3/4" female-60 l/min Alu-DG-G 1" female-G 3/4" male
- 6 89 822**
Tank protecting cap size 60
- 7 23 407 966**
MOBIFlxx 35 l/min 12 V-DC ABK
- 8 19 779**
Angled tap 90° G 1" fem-G 1" male
- 9 23 155 967**
Hose for diesel L = 3800 mm-G 1" a-G 1" i-DN 19
- 10 82 605**
Hose for diesel L = 470 mm-G 1" m-G 1" m-DN 19
- 11 19 892**
Non-return valve G 1" fem-G 1" fem
- 12 23 180**
Suction strainer G 1" male Ø43 x 69,5

26 486

mobiFITT-300 I
ZVAD-24 V-35 l/min-EBZD

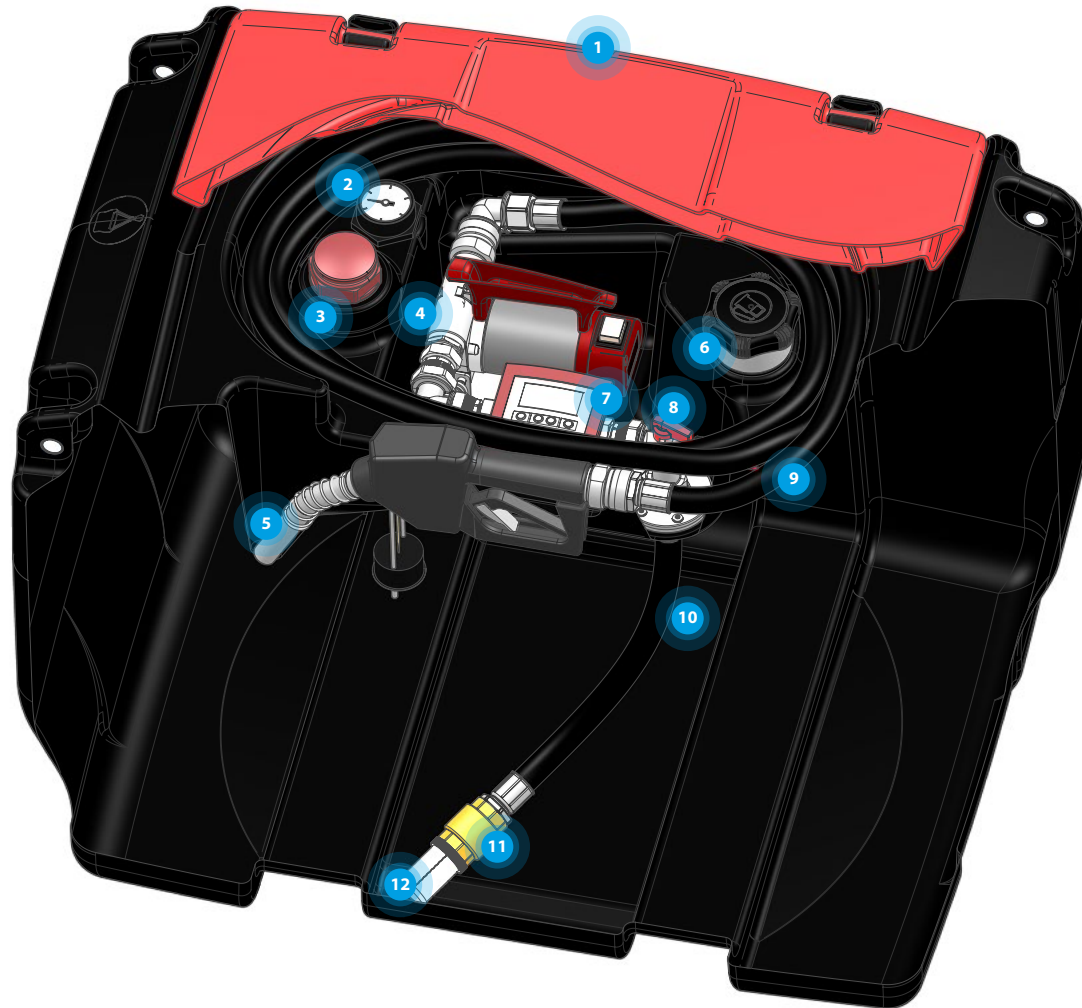


Technical data

Tank volume (l)	300
Material tank	LLDPE (linear low density polyethylene)
UN approval	un 31H2/Z/.../CZ/IMET 1359-ARES/0/
Pump	
Brand	FMT Swiss AG
Connecting cable with battery terminal clips, length (m)	3
Hydraulic data	
Pump design	vane pump, selfpriming
Delivery rate under free discharge (l/min)	35
Discharge pressure up to (bar)	1,6
Pumping media	fuel oil and diesel
Motor data	
Voltage (V)	24 V DC
Power consumption (A)	13
Fuse (A)	25 A plug-in fuse
Duty cycle (min) under free discharge max.	60
Safety class	IP54
Digital in-line meter	
Temperature range (°C)	-10 / +60
Display	4-digits, with 2 decimal digits
Dimensions LxWxH (mm)	1000 x 654 x 727

Specification

- ▶ Single-walled tank (45 482)
- ▶ Movable under load
- ▶ Universal fixation loops for integral shackles
- ▶ Diffusion resistant
- ▶ UV-resistant
- ▶ Lockable protection cap
- ▶ Ventilation valve (45 140)
- ▶ Level indicator (82 602)
- ▶ Safety valve between tank and pump (19 779)
- ▶ Foot valve with filter (19 890)
- ▶ On/Off switch
- ▶ Discharge hose, 3,8 m, DN 19, G 1" male, G 1" female (23 155 967)
- ▶ Automatic nozzle valve with swivel joint, ZVAD (23 176)
- ▶ Vane pump, with integral bypass (23 012 965)
- ▶ In-line meter, digital (23 287)



- 1 45 489**
Cap for mobiFITT 125 I-200 I-300 I LLDPE-4,5kg
- 2 82 602**
Spiral-level indicator mechanical-560 mm
- 3 45 140**
Airing and venting valve G 2" male-PA 6
- 4 23 012 965**
MOBIFxx 35 l/min 24 V-DC-ABK
- 5 23 176**
ZVAD-G 3/4" female-60 l/min Alu-DG-G 1" female-G 3/4" male
- 6 89 822**
Tank protecting cap size 60
- 7 23 287**
In-line meter-digital vane-G 1" fem-G 1" male
- 8 19 779**
Angled tap 90° G 1" fem-G 1" male
- 9 23 155 967**
Hose for diesel L = 3800 mm-G 1" a-G 1" i-DN 19
- 10 82 605**
Hose for diesel L = 470 mm-G 1" m-G 1" m-DN 19
- 11 19 892**
Non-return valve G 1" fem-G 1" fem
- 12 23 180**
Suction strainer G 1" male Ø43 x 69,5

26 460

mobiFITT-200 I
ZVAD-12 V-35 l/min

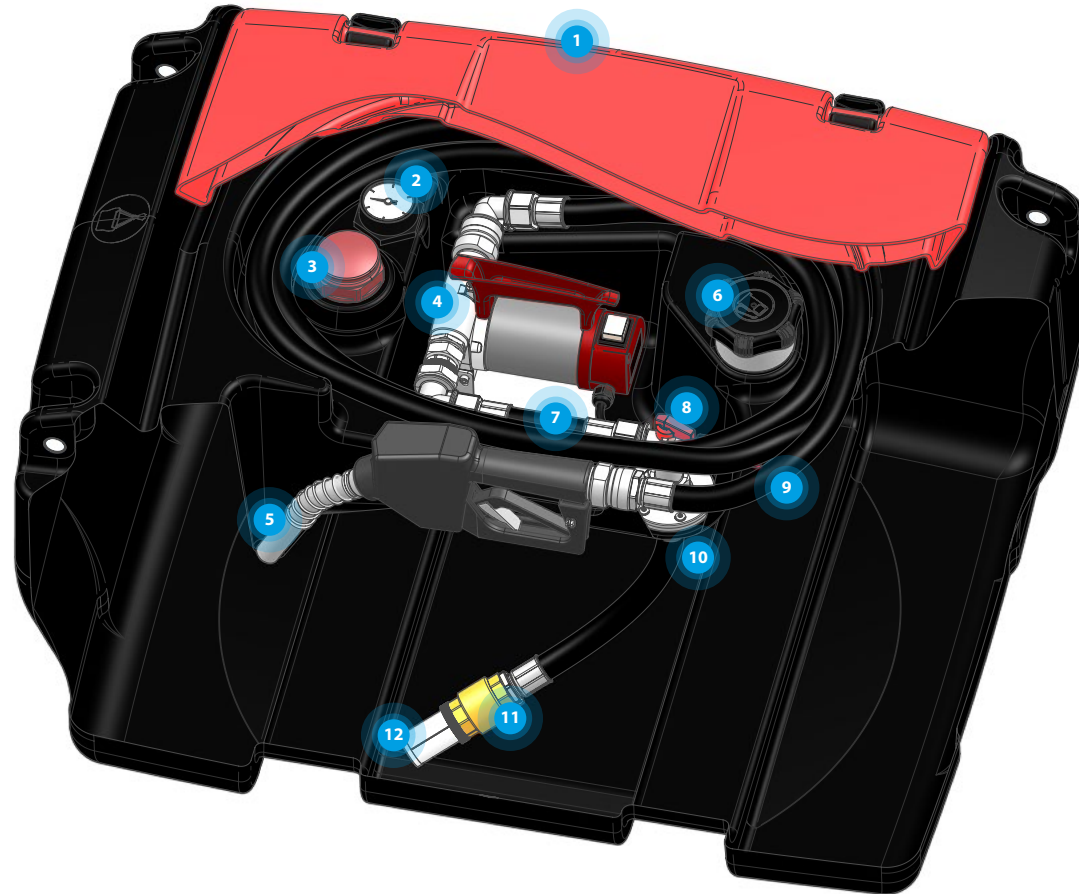


Technical data

Tank volume (l)	200
Material tank	LLDPE (linear low density polyethylene)
UN approval	un 31H2/Z/..../CZ/IMET 1359-ARES/0/
Pump	
Brand	FMT Swiss AG
Connecting cable with battery terminal clips, length (m)	3
Hydraulic data	
Pump design	vane pump, selfpriming
Delivery rate under free discharge (l/min)	35
Discharge pressure up to (bar)	1,6
Pumping media	fuel oil and diesel
Motor data	
Voltage (V)	12 V DC
Power consumption (A)	18
Fuse (A)	25 A plug-in fuse
Duty cycle (min) under free discharge max.	60
Safety class	IP54
Dimensions LxWxH (mm)	1000 x 654 x 547

Specification

- ▶ Single-walled tank (45 481)
- ▶ Movable under load
- ▶ Universal fixation loops for integral shackles
- ▶ Diffusion resistant
- ▶ UV-resistant
- ▶ Lockable protection cap
- ▶ Ventilation valve (45 140)
- ▶ Level indicator (82 601)
- ▶ Safety valve between tank and pump (19 779)
- ▶ Foot valve with filter (19 890)
- ▶ Vane pump, with integral bypass (23 012 964)
- ▶ On/Off switch
- ▶ Discharge hose, 3,8 m, DN 19, G 1" male, G 1" female (23 155 967)
- ▶ Automatic nozzle valve with swivel joint, ZVAD (23 176)



- 1 45 489**
Cap for mobiFITT 125 I-200 I-300 I LLDPE-4,5kg
- 2 82 601**
Spiral-level indicator mechanical-390 mm
- 3 45 140**
Airing and venting valve G 2" male-PA 6
- 4 23 012 964**
MOBIFlxx 35 l/min 12 V-DG-ABK
- 5 23 176**
ZVAD-G 3/4" female-60 l/min Alu-DG-G 1" female-G 3/4" male
- 6 89 822**
Tank protecting cap size 60
- 7 89 126**
Hose for diesel L = 140 mm-G 1" f-G 1" f-DN 19
- 8 19 779**
Angled tap 90° G 1" fem-G 1" male
- 9 23 155 967**
Hose for diesel L = 3800 mm-G 1" a-G 1" i-DN 19
- 10 82 604**
Hose for diesel L = 300 mm-G 1" m-G 1" m-DN 19
- 11 19 892**
Non-return valve G 1" fem-G 1" fem
- 12 23 180**
Suction strainer G 1" male Ø43x69,5

26 461

mobiFITT-200 I
ZVAD-24 V-35 l/min

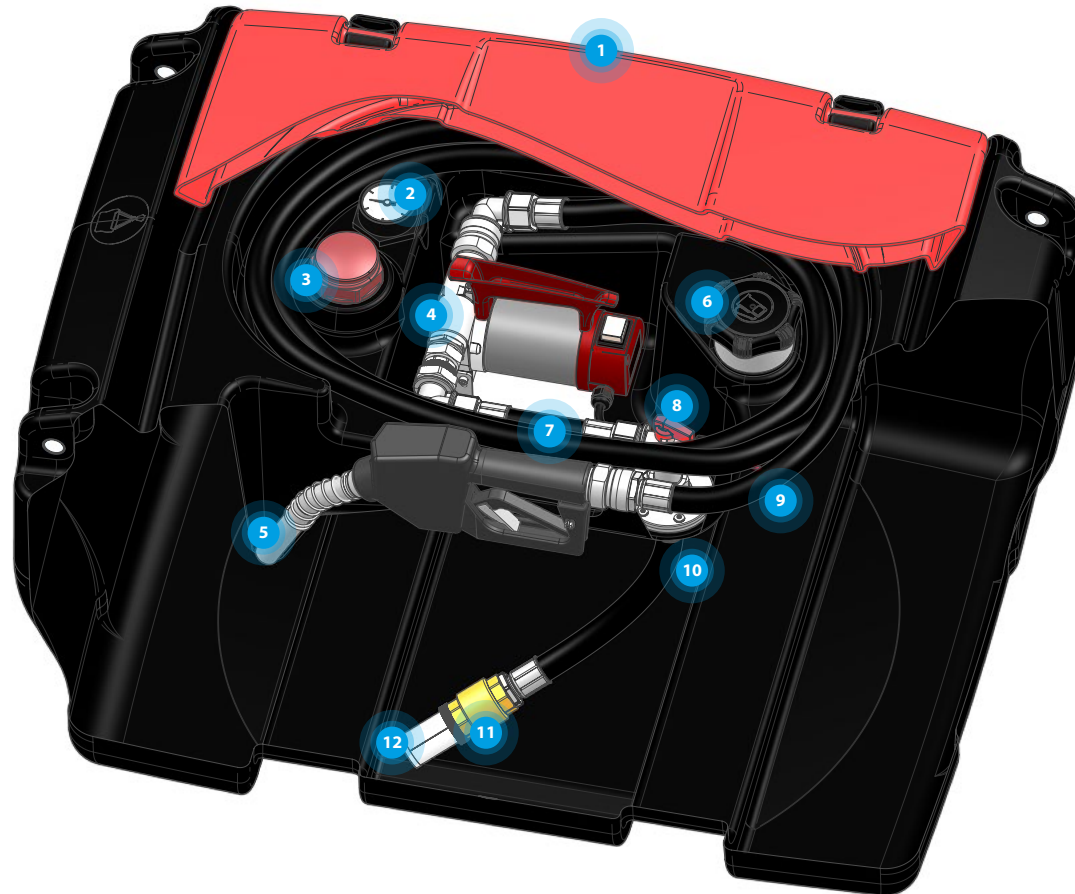


Technical data

Tank volume (l)	200
Material tank	LLDPE (linear low density polyethylene)
UN approval	un 31H2/Z/..../CZ/IMET 1359-ARES/0/
Pump	
Brand	FMT Swiss AG
Connecting cable with battery terminal clips, length (m)	3
Hydraulic data	
Pump design	vane pump, selfpriming
Delivery rate under free discharge (l/min)	35
Discharge pressure up to (bar)	1,6
Pumping media	fuel oil and diesel
Motor data	
Voltage (V)	24 V DC
Power consumption (A)	13
Fuse (A)	25 A plug-in fuse
Duty cycle (min) under free discharge max.	60
Safety class	IP54
Dimensions LxWxH (mm)	1000 x 654 x 547

Specification

- ▶ Single-walled tank (45 481)
- ▶ Movable under load
- ▶ Universal fixation loops for integral shackles
- ▶ Diffusion resistant
- ▶ UV-resistant
- ▶ Lockable protection cap
- ▶ Ventilation valve (45 140)
- ▶ Level indicator (82 601)
- ▶ Safety valve between tank and pump (19 779)
- ▶ Foot valve with filter (19 890)
- ▶ On/Off switch
- ▶ Discharge hose, 3,8 m, DN 19, G 1" male, G 1" female (23 155 967)
- ▶ Automatic nozzle valve with swivel joint, ZVAD (23 176)
- ▶ Vane pump, with integral bypass (23 012 965)



- 1 45 489**
Cap for mobiFITT 125 I-200 I-300 I LLDPE-4,5kg
- 2 82 601**
Spiral-level indicator mechanical-390 mm
- 3 45 140**
Airing and venting valve G 2" male-PA 6
- 4 23 012 965**
MOBIFlxx 35 l/min 24 V-DC-ABK
- 5 23 176**
ZVAD-G 3/4" female-60 l/min Alu-DG-G 1" female-G 3/4" male
- 6 89 822**
Tank protecting cap size 60
- 7 89 126**
Hose for diesel L = 140 mm-G 1" f-G 1" f-DN 19
- 8 19 779**
Angled tap 90° G 1" fem-G 1" male
- 9 23 155 967**
Hose for diesel L = 3800 mm-G 1" a-G 1" i-DN 19
- 10 82 604**
Hose for diesel L = 300 mm-G 1" m-G 1" m-DN 19
- 11 19 892**
Non-return valve G 1" fem-G 1" fem
- 12 23 180**
Suction strainer G 1" male Ø43 x 69,5

26 465

mobiFITT-200 I
ZVAD-12 V-35 l/min-EBZD

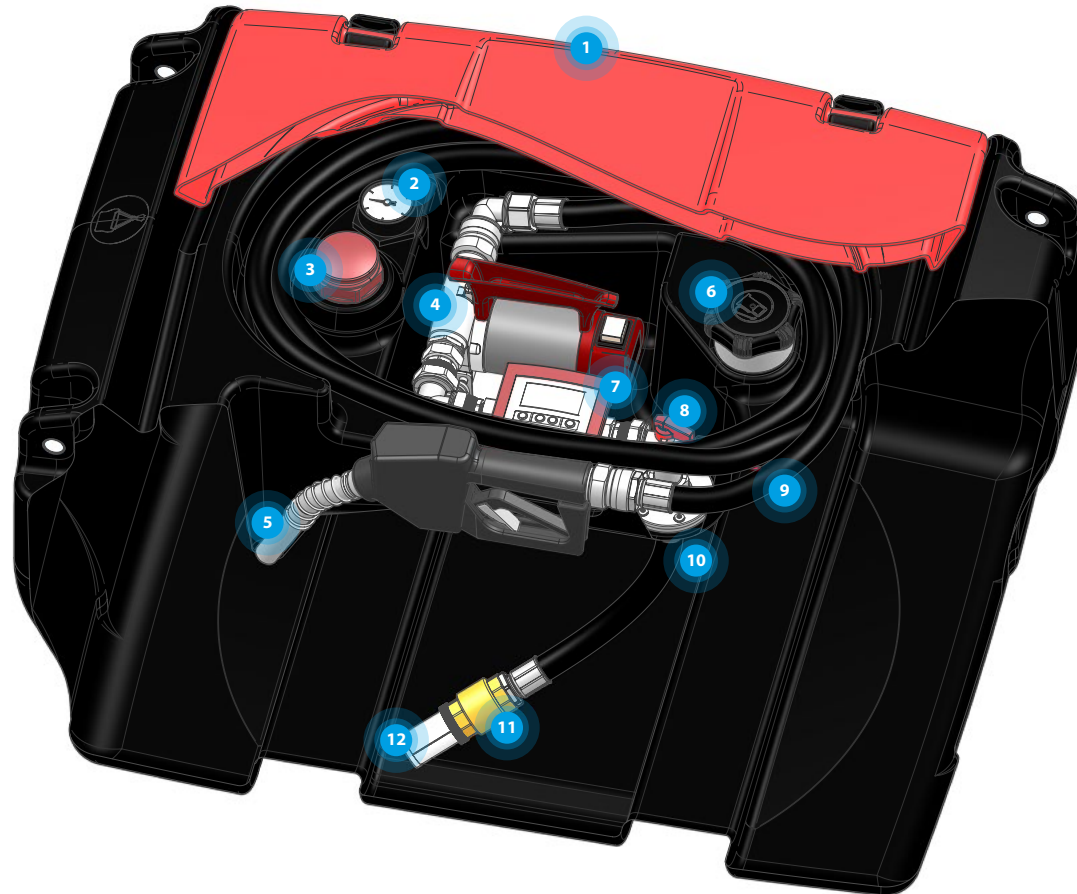


Technical data

Tank volume (l)	200
Material tank	LLDPE (linear low density polyethylene)
UN approval	un 31H2/Z/.../CZ/IMET 1359-ARES/0/
Pump	
Brand	FMT Swiss AG
Connecting cable with battery terminal clips, length (m)	3
Hydraulic data	
Pump design	vane pump, selfpriming
Delivery rate under free discharge (l/min)	35
Discharge pressure up to (bar)	1,6
Pumping media	fuel oil and diesel
Motor data	
Voltage (V)	12 V DC
Power consumption (A)	18
Fuse (A)	25 A plug-in fuse
Duty cycle (min) under free discharge max.	60
Safety class	IP54
Digital in-line meter	
Temperature range (°C)	-10 / +60
Display	4-digits, with 2 decimal digits
Dimensions LxWxH (mm)	1000 x 654 x 547

Specification

- ▶ Single-walled tank (45 481)
- ▶ Movable under load
- ▶ Universal fixation loops for integral shackles
- ▶ Diffusion resistant
- ▶ UV-resistant
- ▶ Lockable protection cap
- ▶ Ventilation valve (45 140)
- ▶ Level indicator (82 601)
- ▶ Safety valve between tank and pump (19 779)
- ▶ Foot valve with filter (19 890)
- ▶ On/Off switch
- ▶ Discharge hose, 3,8 m, DN 19, G 1" male, G 1" female (23 155 967)
- ▶ Automatic nozzle valve with swivel joint, ZVAD (23 176)
- ▶ Vane pump, with integral bypass (23 012 964)
- ▶ In-line meter, digital (23 287)



- 1 45 489**
Cap for mobiFITT 125 I-200 I-300 I LLDPE-4,5kg
- 2 82 601**
Spiral-level indicator mechanical-390 mm
- 3 45 140**
Airing and venting valve G 2" male-PA 6
- 4 23 012 964**
MOBIFxx 35 l/min 12 V-DC-ABK
- 5 23 176**
ZVAD-G 3/4" female-60 l/min Alu-DG-G 1" female-G 3/4" male
- 6 89 822**
Tank protecting cap size 60
- 7 23 287**
In-line meter-digital vane-G 1" fem-G 1" male
- 8 19 779**
Angled tap 90° G 1" fem-G 1" male
- 9 23 155 967**
Hose for diesel L = 3800 mm-G 1" a-G 1" i-DN 19
- 10 82 604**
Hose for diesel L = 300 mm-G 1" m-G 1" m-DN 19
- 11 19 892**
Non-return valve G 1" fem-G 1" fem
- 12 23 180**
Suction strainer G 1" male Ø43 x 69,5

26 466

mobiFITT-200 I
ZVAD-24 V-35 l/min-EBZD

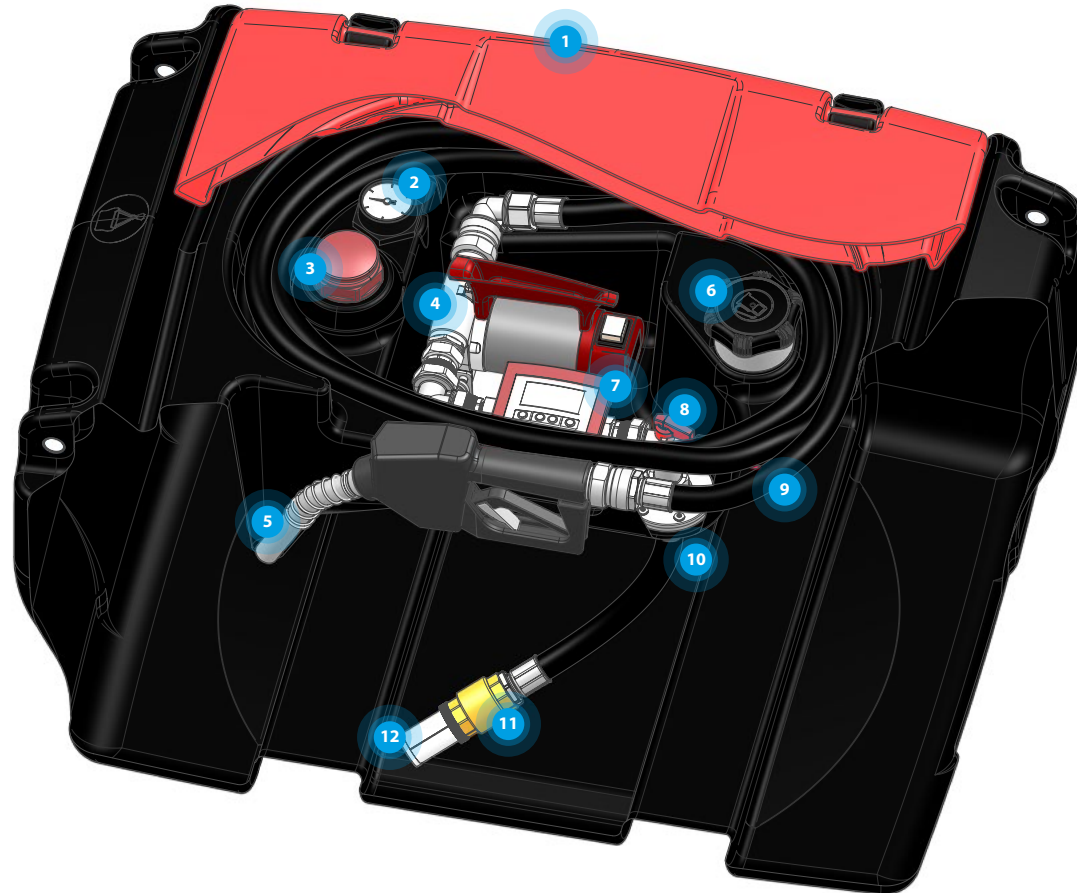


Technical data

Tank volume (l)	200
Material tank	LLDPE (linear low density polyethylene)
UN approval	un 31H2/Z/.../CZ/IMET 1359-ARES/0/
Pump	
Brand	FMT Swiss AG
Connecting cable with battery terminal clips, length (m)	3
Hydraulic data	
Pump design	vane pump, selfpriming
Delivery rate under free discharge (l/min)	35
Discharge pressure up to (bar)	1,6
Pumping media	fuel oil and diesel
Motor data	
Voltage (V)	24 V DC
Power consumption (A)	13
Fuse (A)	25 A plug-in fuse
Duty cycle (min) under free discharge max.	60
Safety class	IP54
Digital in-line meter	
Temperature range (°C)	-10 / +60
Display	4-digits, with 2 decimal digits
Dimensions LxWxH (mm)	1000 x 654 x 547

Specification

- ▶ Single-walled tank (45 481)
- ▶ Movable under load
- ▶ Universal fixation loops for integral shackles
- ▶ Diffusion resistant
- ▶ UV-resistant
- ▶ Lockable protection cap
- ▶ Ventilation valve (45 140)
- ▶ Level indicator (82 601)
- ▶ Safety valve between tank and pump (19 779)
- ▶ Foot valve with filter (19 890)
- ▶ On/Off switch
- ▶ Discharge hose, 3,8 m, DN 19, G 1" male, G 1" female (23 155 967)
- ▶ Automatic nozzle valve with swivel joint, ZVAD (23 176)
- ▶ Vane pump, with integral bypass (23 012 965)
- ▶ In-line meter, digital (23 287)



- 1 45 489**
Cap for mobiFITT 125 I-200 I-300 I LLDPE-4,5kg
- 2 82 601**
Spiral-level indicator mechanical-390 mm
- 3 45 140**
Airing and venting valve G 2" male-PA 6
- 4 23 012 965**
MOBIFxx 35 l/min 24 V-DC-ABK
- 5 23 176**
ZVAD-G 3/4" female-60 l/min Alu-DG-G 1" female-G 3/4" male
- 6 89 822**
Tank protecting cap size 60
- 7 23 287**
In-line meter-digital vane-G 1" fem-G 1" male
- 8 19 779**
Angled tap 90° G 1" fem-G 1" male
- 9 23 155 967**
Hose for diesel L = 3800 mm-G 1" a-G 1" i-DN 19
- 10 82 604**
Hose for diesel L = 300 mm-G 1" m-G 1" m-DN 19
- 11 19 892**
Non-return valve G 1" fem-G 1" fem
- 12 23 180**
Suction strainer G 1" male Ø43 x 69,5

26 440

mobiFITT-125 I
ZVAD-12 V-35 l/min

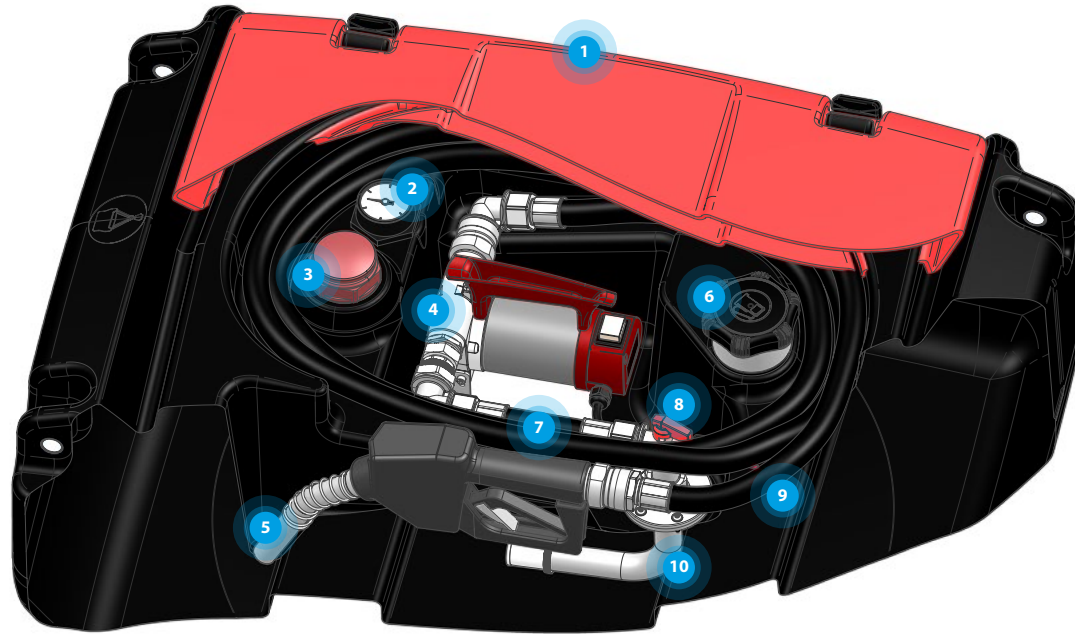


Technical data

Tank volume (l)	125
Material tank	LLDPE (linear low density polyethylene)
UN approval	un 31H2/Z/..../CZ/IMET 1359-ARES/0/
Pump	
Brand	FMT Swiss AG
Connecting cable with battery terminal clips, length (m)	3
Hydraulic data	
Pump design	vane pump, selfpriming
Delivery rate under free discharge (l/min)	35
Discharge pressure up to (bar)	1,6
Pumping media	fuel oil and diesel
Motor data	
Voltage (V)	12 V DC
Power consumption (A)	18
Fuse (A)	25 A plug-in fuse
Duty cycle (min) under free discharge max.	60
Safety class	IP54
Dimensions LxWxH (mm)	1000 x 654 x 387

Specification

- ▶ Single-walled tank (45 480)
- ▶ Movable under load
- ▶ Universal fixation loops for integral shackles
- ▶ Diffusion resistant
- ▶ UV-resistant
- ▶ Lockable protection cap
- ▶ Ventilation valve (45 140)
- ▶ Level indicator (82 600)
- ▶ Safety valve between tank and pump (19 779)
- ▶ Vane pump, with integral bypass (23 012 964)
- ▶ On/Off switch
- ▶ Discharge hose, 3,8 m, DN 19, G 1" male, G 1" female (23 155 967)
- ▶ Automatic nozzle valve with swivel joint, ZVAD (23 176)



- 1 45 489**
Cap for mobiFITT 125 I-200 I-300 I LLDPE-4,5kg
- 2 82 600**
Spiral-level indicator mechanical-230 mm
- 3 45 140**
Airing and venting valve G 2" male-PA 6
- 4 23 012 964**
MOBIFlxx 35 l/min 12 V-DC-ABK
- 5 23 176**
ZVAD-G 3/4" female-60 l/min Alu-DG-G 1" female-G 3/4" male
- 6 89 822**
Tank protecting cap size 60
- 7 89 126**
Hose for diesel L = 140 mm-G 1" f-G 1" f-DN 19
- 8 19 779**
Angled tap 90° G 1" fem-G 1" male
- 9 23 155 967**
Hose for diesel L = 3800 mm-G 1" a-G 1" i-DN 19
- 10 89 168**
Suction line set 125 l 86,8°-3/4"-filter

26 441

mobiFITT-125 I
ZVAD-24 V-35 l/min

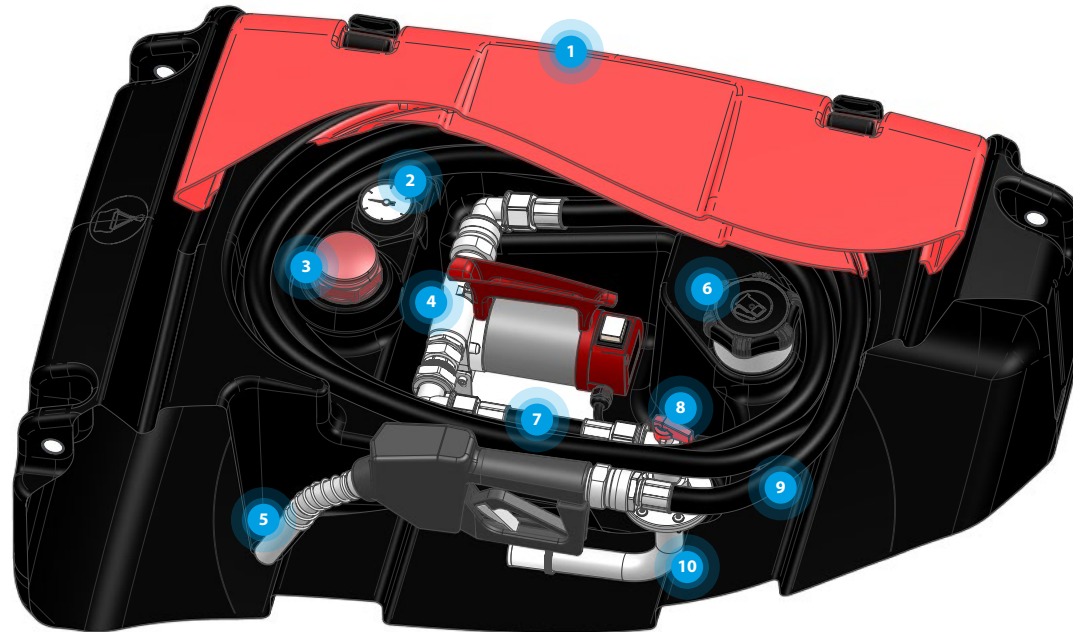


Technical data

Tank volume (l)	125
Material tank	LLDPE (linear low density polyethylene)
UN approval	un 31H2/Z/..../CZ/IMET 1359-ARES/0/
Pump	
Brand	FMT Swiss AG
Connecting cable with battery terminal clips, length (m)	3
Hydraulic data	
Pump design	vane pump, selfpriming
Delivery rate under free discharge (l/min)	35
Discharge pressure up to (bar)	1,6
Pumping media	fuel oil and diesel
Motor data	
Voltage (V)	24 V DC
Power consumption (A)	13
Fuse (A)	25 A plug-in fuse
Duty cycle (min) under free discharge max.	60
Safety class	IP54
Dimensions LxWxH (mm)	1000 x 654 x 387

Specification

- ▶ Single-walled tank (45 480)
- ▶ Movable under load
- ▶ Universal fixation loops for integral shackles
- ▶ Diffusion resistant
- ▶ UV-resistant
- ▶ Lockable protection cap
- ▶ Ventilation valve (45 140)
- ▶ Level indicator (82 600)
- ▶ Safety valve between tank and pump (19 779)
- ▶ On/Off switch
- ▶ Discharge hose, 3,8 m, DN 19, G 1" male, G 1" female (23 155 967)
- ▶ Automatic nozzle valve with swivel joint, ZVAD (23 176)
- ▶ Vane pump, with integral bypass (23 012 965)



- 1 45 489**
Cap for mobiFITT 125 I-200 I-300 I LLDPE-4,5kg
- 2 82 600**
Spiral-level indicator mechanical-230 mm
- 3 45 140**
Airing and venting valve G 2" male-PA 6
- 4 23 012 965**
MOBIFxx 35 l/min 24 V-DC-ABK
- 5 23 176**
ZVAD-G 3/4" female-60 l/min Alu-DG-G 1" female-G 3/4" male
- 6 89 822**
Tank protecting cap size 60
- 7 89 126**
Hose for diesel L = 140 mm
- 8 19 779**
Angled tap 90° G 1" fem-G 1" male
- 9 23 155 967**
Hose for diesel L = 3800 mm-G 1" a-G 1" i-DN 19
- 10 89 168**
Suction line set 125 l 86,8°-3/4"-filter

26 445

mobiFITT-125 I
ZVAD-12 V-35 l/min-EBZD

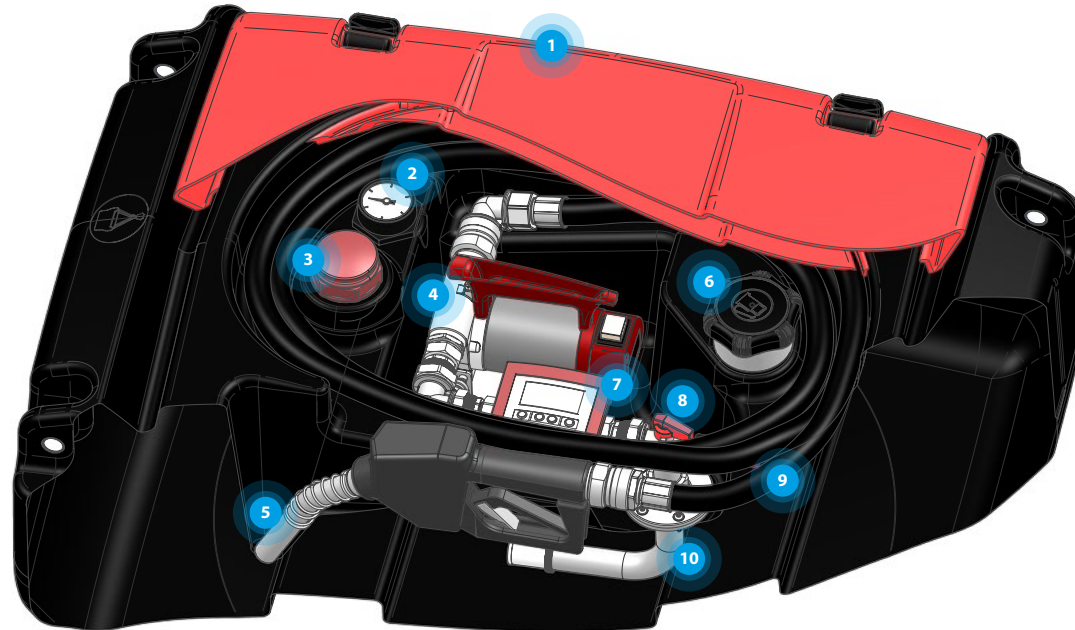


Technical data

Tank volume (l)	125
Material tank	LLDPE (linear low density polyethylene)
UN approval	un 31H2/Z/..../CZ/IMET 1359-ARES/0/
Pump	
Brand	FMT Swiss AG
Connecting cable with battery terminal clips, length (m)	3
Hydraulic data	
Pump design	vane pump, selfpriming
Delivery rate under free discharge (l/min)	35
Discharge pressure up to (bar)	1,6
Pumping media	fuel oil and diesel
Motor data	
Voltage (V)	12 V DC
Power consumption (A)	18
Fuse (A)	25 A plug-in fuse
Duty cycle (min) under free discharge max.	60
Safety class	IP54
Digital in-line meter	
Temperature range (°C)	-10 / +60
Display	4-digits, with 2 decimal digits
Dimensions LxWxH (mm)	1000 x 654 x 387

Specification

- ▶ Single-walled tank (45 480)
- ▶ Movable under load
- ▶ Universal fixation loops for integral shackles
- ▶ Diffusion resistant
- ▶ UV-resistant
- ▶ Lockable protection cap
- ▶ Ventilation valve (45 140)
- ▶ Level indicator (82 600)
- ▶ Safety valve between tank and pump (19 779)
- ▶ On/Off switch
- ▶ Discharge hose, 3,8 m, DN 19, G 1" male, G 1" female (23 155 967)
- ▶ In-line meter, digital (23 287)
- ▶ Automatic nozzle valve with swivel joint, ZVAD (23 176)
- ▶ Vane pump, with integral bypass (23 012 964)



- 1 45 489**
Cap for mobiFITT 125 I-200 I-300 I LLDPE-4,5kg
- 2 82 600**
Spiral-level indicator mechanical-230 mm
- 3 45 140**
Airing and venting valve G 2" male-PA 6
- 4 23 012 964**
MOBIFxx 35 l/min 12 V-DC-ABK
- 5 23 176**
ZVAD-G 3/4" female-60 l/min Alu-DG-G 1" female-G 3/4" male
- 6 89 822**
Tank protecting cap size 60
- 7 23 287**
In-line meter-digital vane-G 1" fem-G 1" male
- 8 19 779**
Angled tap 90° G 1" fem-G 1" male
- 9 23 155 967**
Hose for diesel L = 3800 mm-G 1" a-G 1" i-DN 19
- 10 89 168**
Suction line set 125 l 86,8°-3/4"-filter

26 446

mobiFITT-125 I
ZVAD-24 V-35 l/min-EBZD

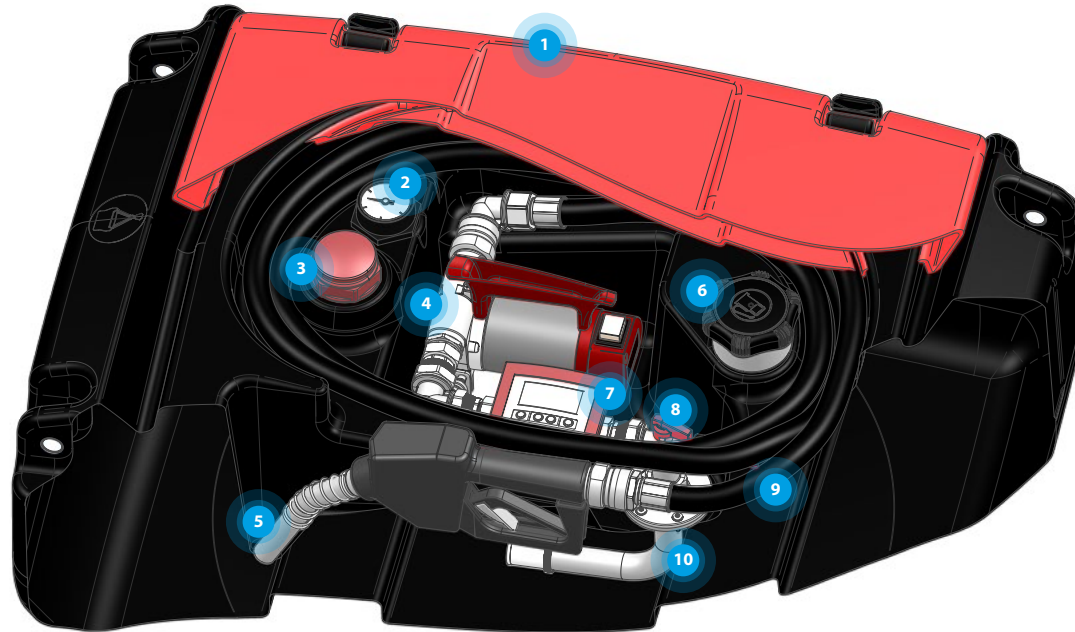


Technical data

Tank volume (l)	125
Material tank	LLDPE (linear low density polyethylene)
UN approval	un 31H2/Z/.../CZ/IMET 1359-ARES/0/
Pump	
Brand	FMT Swiss AG
Connecting cable with battery terminal clips, length (m)	3
Hydraulic data	
Pump design	vane pump, selfpriming
Delivery rate under free discharge (l/min)	35
Discharge pressure up to (bar)	1,6
Pumping media	fuel oil and diesel
Motor data	
Voltage (V)	24 V DC
Power consumption (A)	13
Fuse (A)	25 A plug-in fuse
Duty cycle (min) under free discharge max.	60
Safety class	IP54
Digital in-line meter	
Temperature range (°C)	-10 / +60
Display	4-digits, with 2 decimal digits
Dimensions LxWxH (mm)	1000 x 654 x 387

Specification

- ▶ Single-walled tank (45 480)
- ▶ Movable under load
- ▶ Universal fixation loops for integral shackles
- ▶ Diffusion resistant
- ▶ UV-resistant
- ▶ Lockable protection cap
- ▶ Ventilation valve (45 140)
- ▶ Level indicator (82 600)
- ▶ Safety valve between tank and pump (19 779)
- ▶ On/Off switch
- ▶ Discharge hose, 3,8 m, DN 19, G 1" male, G 1" female (23 155 967)
- ▶ Automatic nozzle valve with swivel joint, ZVAD (23 176)
- ▶ Vane pump, with integral bypass (23 012 965)
- ▶ In-line meter, digital (23 287)



- 1 45 489**
Cap for mobiFITT 125 I-200 I-300 I LLDPE-4,5kg
- 2 82 600**
Spiral-level indicator mechanical-230 mm
- 3 45 140**
Airing and venting valve G 2" male-PA 6
- 4 23 012 965**
MOBIFxx 35 l/min 24 V-DC-ABK
- 5 23 176**
ZVAD-G 3/4" female-60 l/min Alu-DG-G 1" female-G 3/4" male
- 6 89 822**
Tank protecting cap size 60
- 7 23 287**
In-line meter-digital vane-G 1" fem-G 1" male
- 8 19 779**
Angled tap 90° G 1" fem-G 1" male
- 9 23 155 967**
Hose for diesel L = 3800 mm-G 1" a-G 1" i-DN 19
- 10 89 168**
Suction line set 125 l 86,8°-3/4"-filter

1 45 489



2 82 600



5 45 140



8 23 176



11 89 126



3 82 601



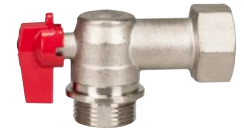
6 23 012 964



9 89 822



12 19 779



4 82 602



7 23 012 965



10 23 287



13 23 155 967



14 89 168



17 19 892



15 82 604



18 23 180



16 82 605



- 1 45 489**
Cap for mobiFITT 125 l-200 l-300 l
LLDPE-4,5kg
- 2 82 600**
Spiral-level indicator
mechanical-230 mm
- 3 82 601**
Spiral-level indicator
mechanical-390 mm
- 4 82 602**
Spiral-level indicator
mechanical-560 mm
- 5 45 140**
Airing and venting valve
G 2" male-PA 6
- 6 23 012 964**
MOBIFlxx 35 l/min
12 V-DC-ABK
- 7 23 012 965**
MOBIFlxx 35 l/min
24 V-DC-ABK
- 8 23 176**
ZVAD-G 3/4" female-60 l/min
Alu-DG-G 1" female-G 3/4" male
- 9 89 822**
Tank protecting cap size 60
- 10 23 287**
In-line meter-digital
vane-G 1" fem-G 1" male
- 11 89 126**
Hose for diesel
L = 140 mm
- 12 19 779**
Angled tap 90°
G 1" fem-G 1" male
- 13 23 155 967**
Hose for diesel
L = 3800 mm-G 1" a-G 1" i-DN 19
- 14 89 168**
Suction line set 125 l
86,8°-3/4"-filter
- 15 82 604**
Hose for diesel
L = 300 mm-G 1" m-G 1" m-DN 19
- 16 82 605**
Hose for diesel
L = 470 mm-G 1" m-G 1" m-DN 19
- 17 19 892**
Non-return valve
G 1" fem-G 1" fem
- 18 23 180**
Suction strainer
G 1" male Ø 43 x 69,5

technology that leads.

Dipl.-Ing. Rudolf Schlenker

Sales

Phone +41 79 136 25 60

rudolf.schlenker@fmtag.ch

Sylvain Pelegris

Business Development Manager

Phone +33 615 54 39 59

sylvain.pelegris@fmtag.ch

FMT Swiss AG

Fluid Management Technologies

Swiss AG

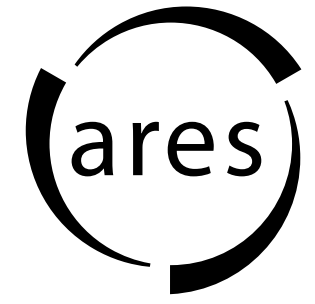
Gewerbestraße 6

6330 Cham /Switzerland

Phone +41 41 712 05 37

info@fmtag.ch

www.fmtag.com/ARES



technology that leads.